

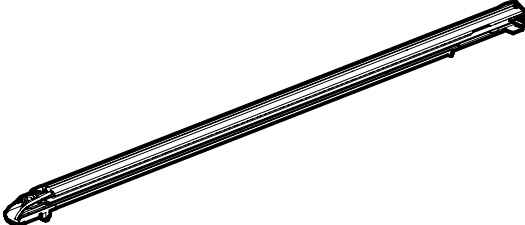
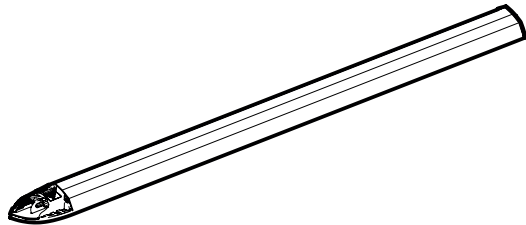
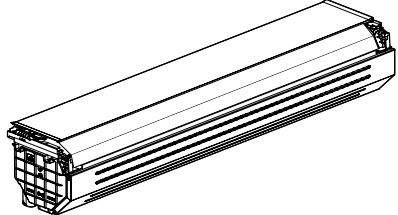
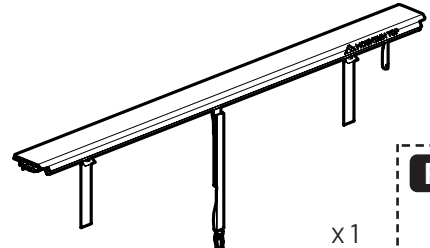

MOUNTAIN TOP[®] EV0m

Installation manual

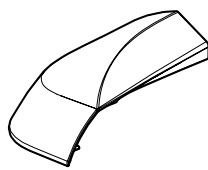
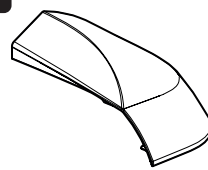
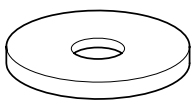
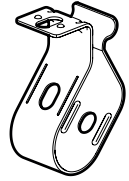
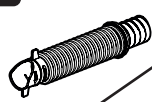

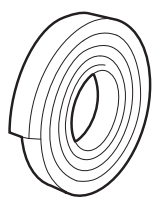
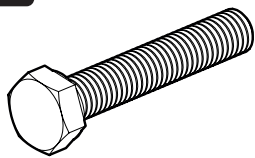
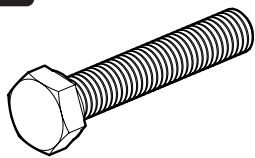
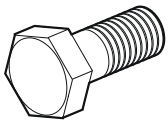
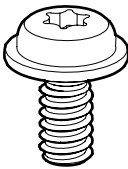



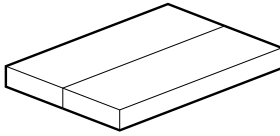
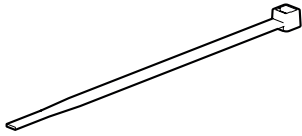
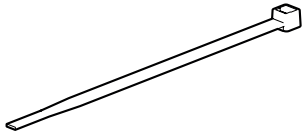
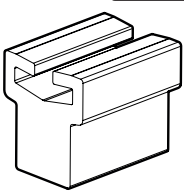


DOWNLOAD PDF

Parts

<p>A</p>  <p>x1</p>	<p>B</p>  <p>x1</p>
<p>C</p>  <p>x1</p>	<p>D</p>  <p>x1</p> <div data-bbox="1332 526 1516 649" style="border: 1px dashed black; padding: 2px;"> <p>R2</p>  <p>x1</p> </div>

Kit

<p>E</p>  <p>LEFT x1</p>	<p>F</p>  <p>RIGHT x1</p>	<p>G</p>  <p>x12</p>	<p>H</p>  <p>x6</p>
<p>I</p>   <p>x2</p>	<p>J</p>  <p>x1</p>	<p>K</p>  <p>x1</p>	<p>L</p>  <p>x6</p>
<p>M</p>  <p>x6</p>	<p>N</p>  <p>x4</p>	<p>O</p>  <p>x6</p>	<p>P</p>  <p>x6</p>
<p>R</p>  <p>x6</p>	<p>S</p>  <p>x1</p>	<p>T</p>  <p>x2</p>	<p>U Isuzu 10+11</p>  <p>x2</p>
<p>V Isuzu 10+11</p>  <p>x4</p>			

Kit



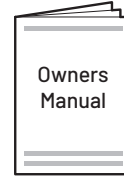
Manual

x1



TÜV

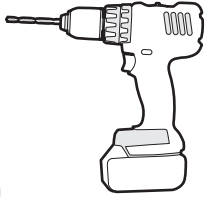
x1



Owners
Manual

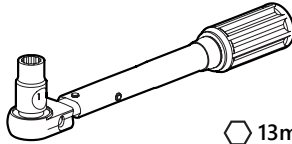
x1

Tools needed



Ø2.4MM

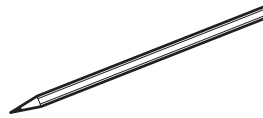
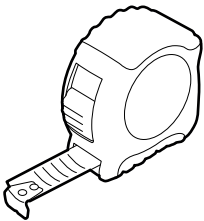
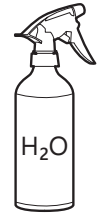
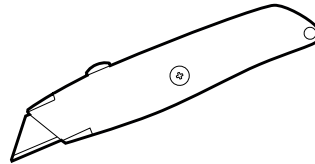
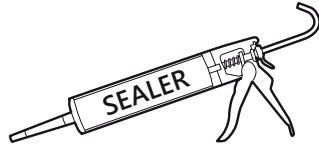
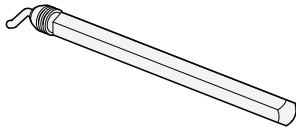
1 - 25 Nm



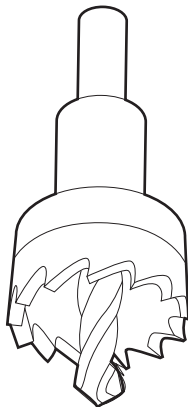
13mm
T30



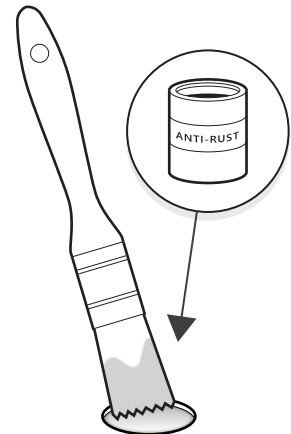
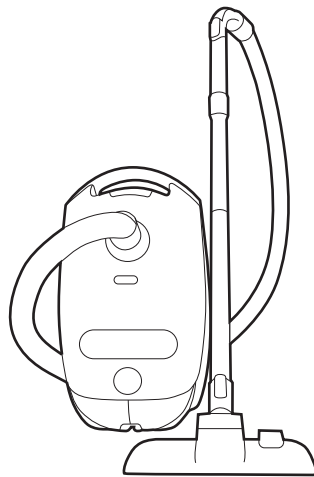
Rust protection
Rostschutzmittel
Anti-rouille
Anti roest

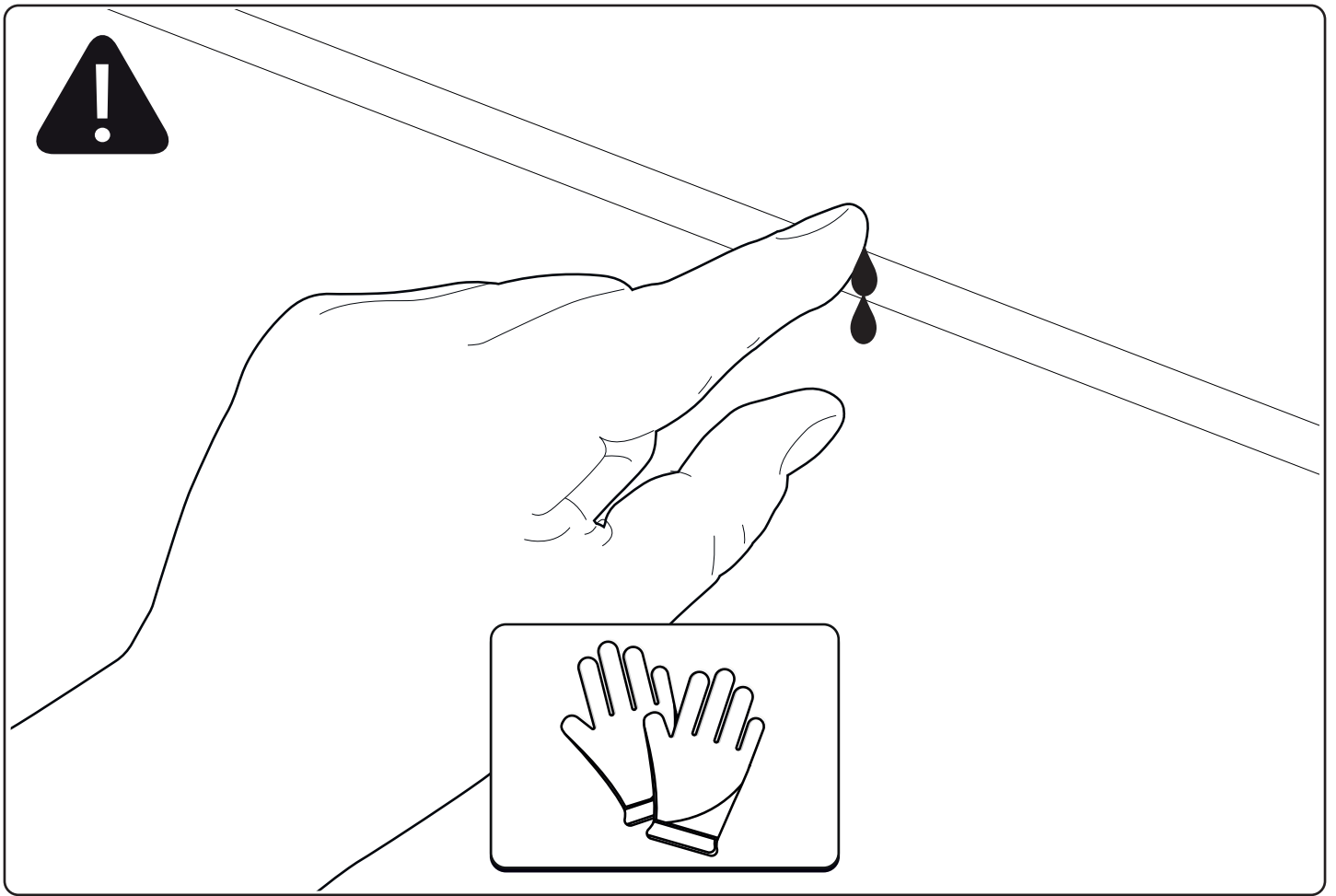


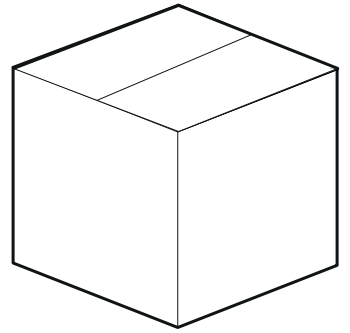
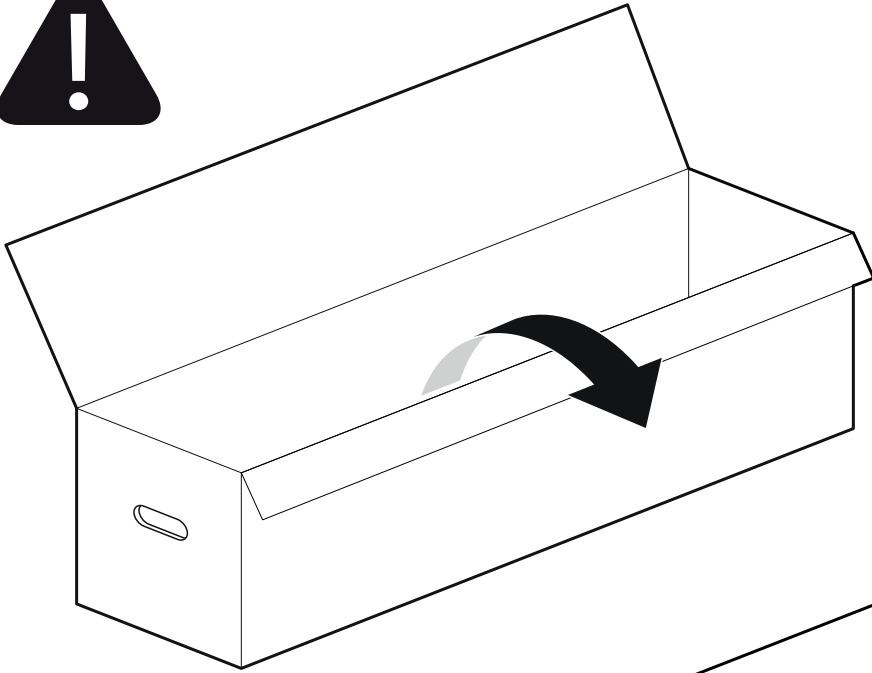
Applying rust protection



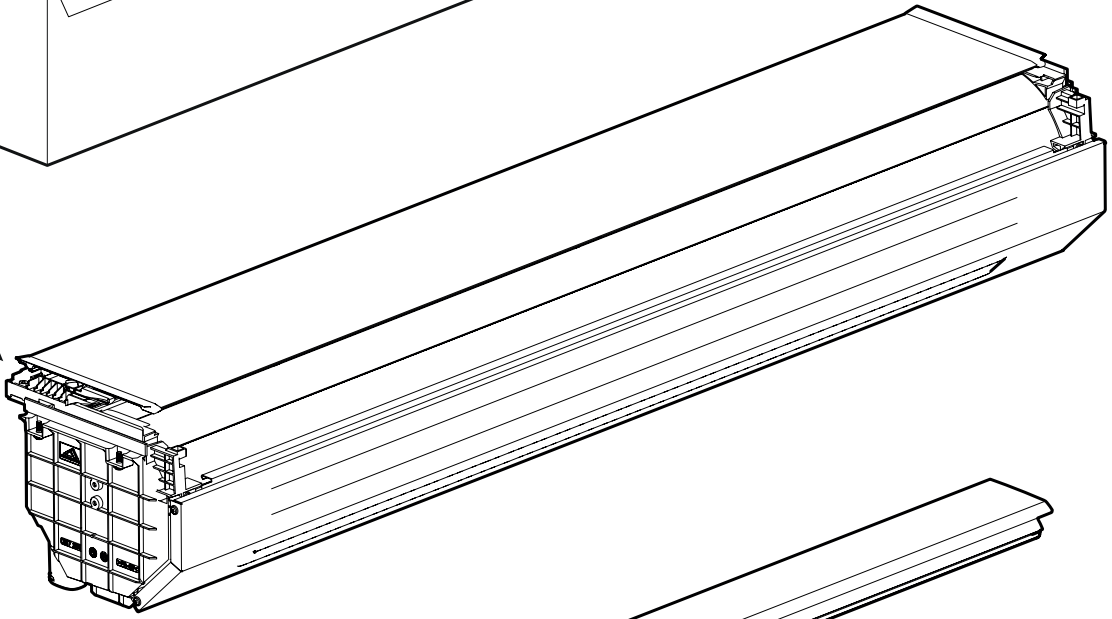
Ø32/40MM



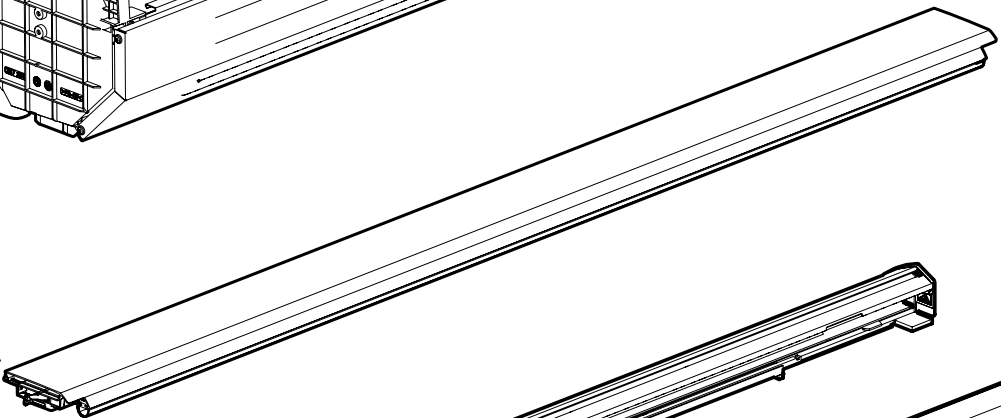




C

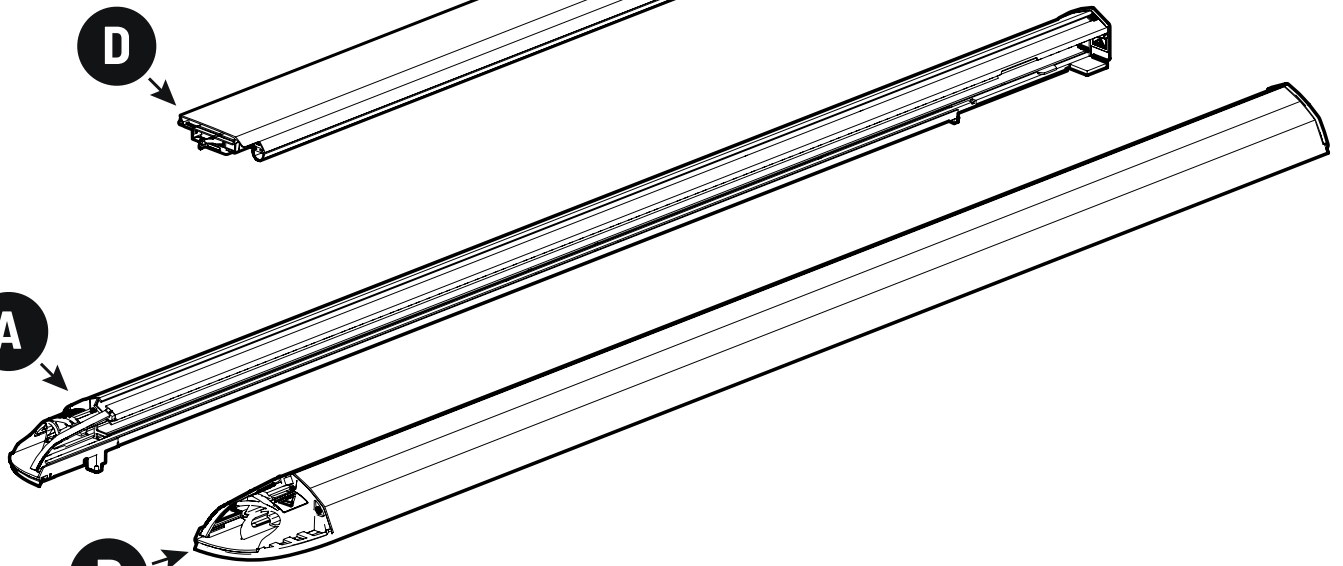


D



A

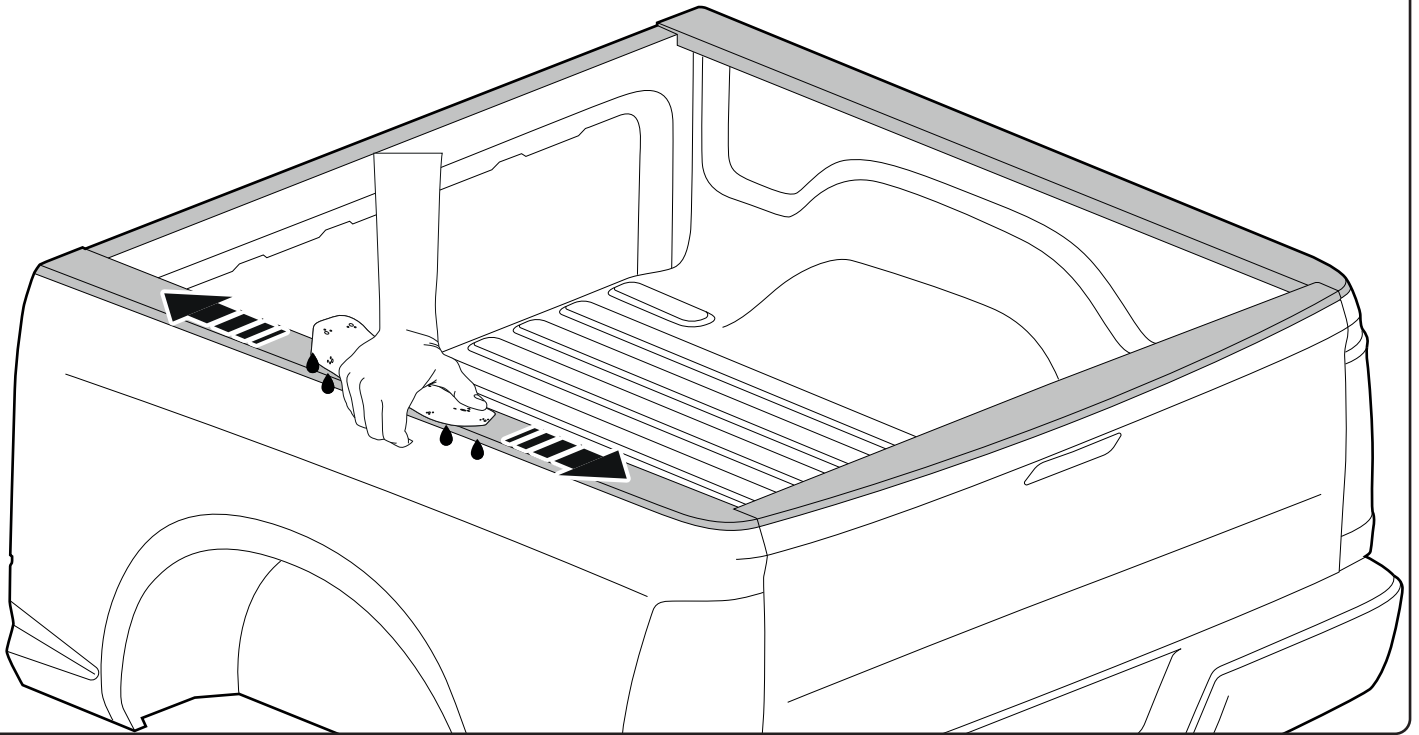
B



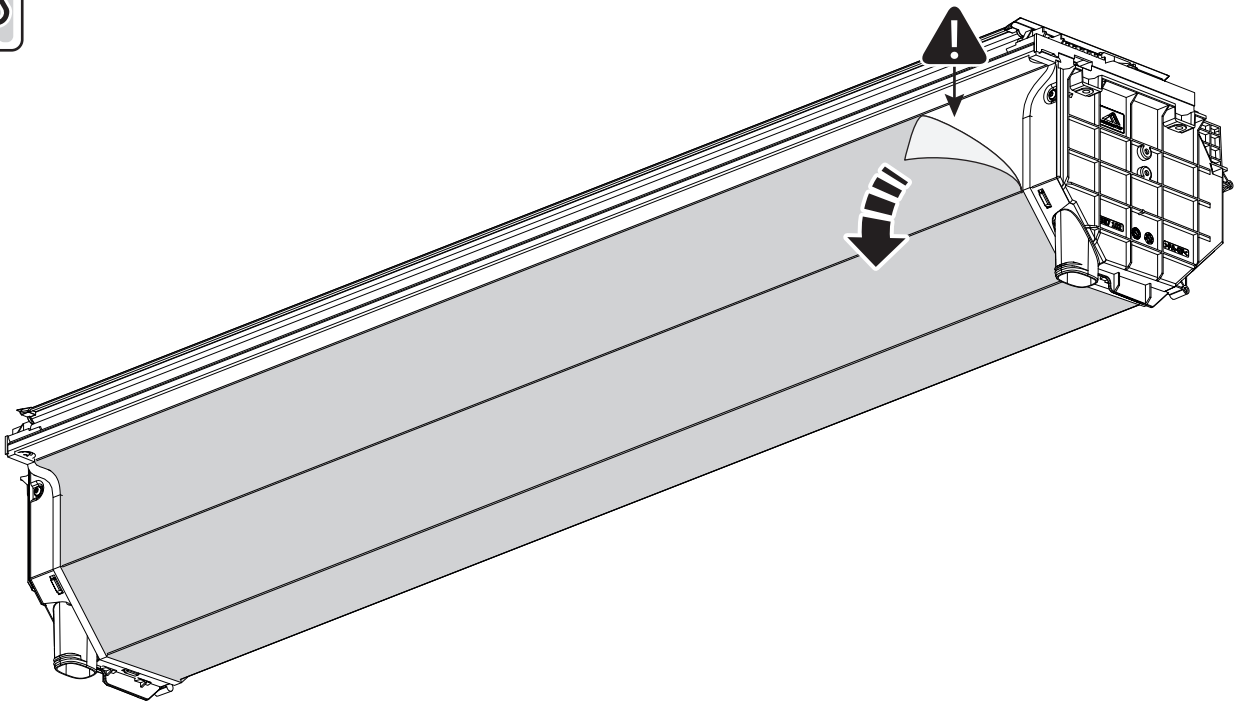


Water & sponge

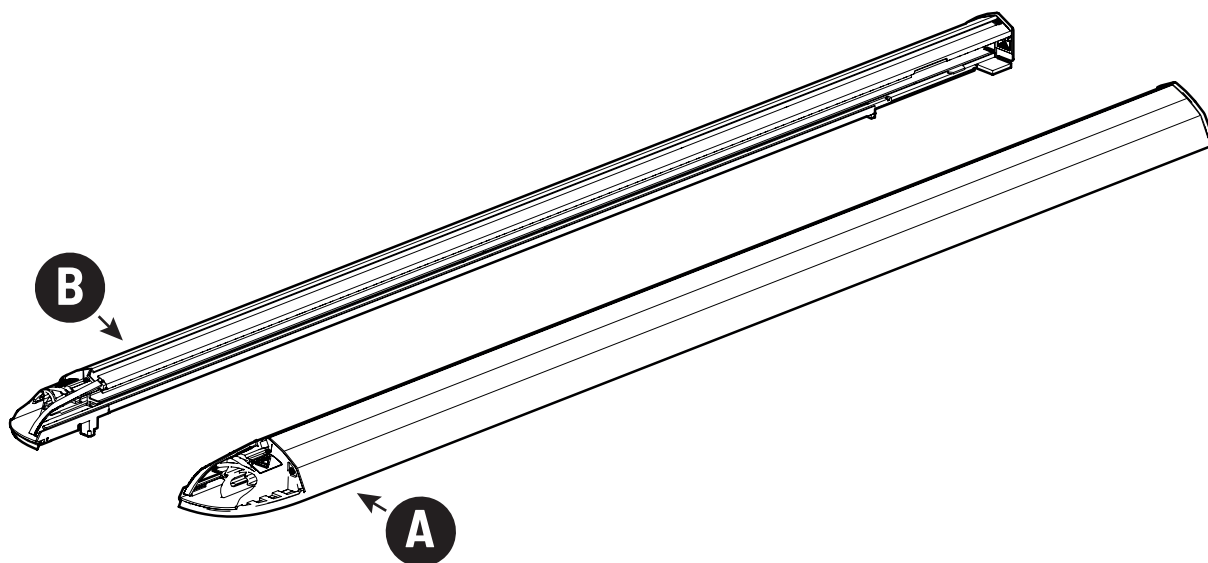
2



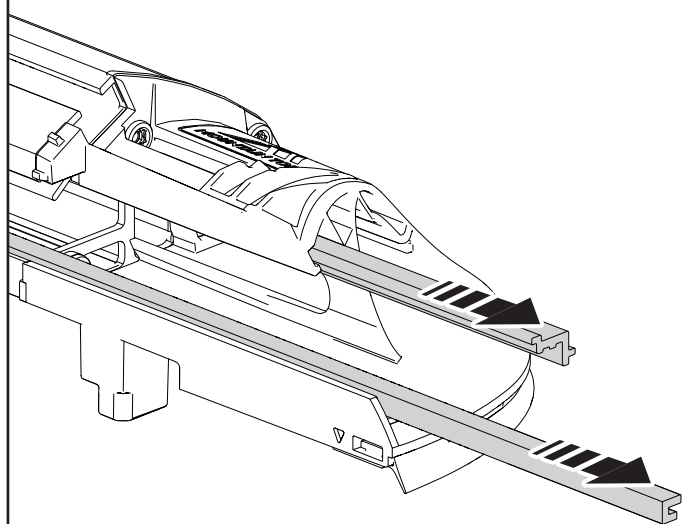
3



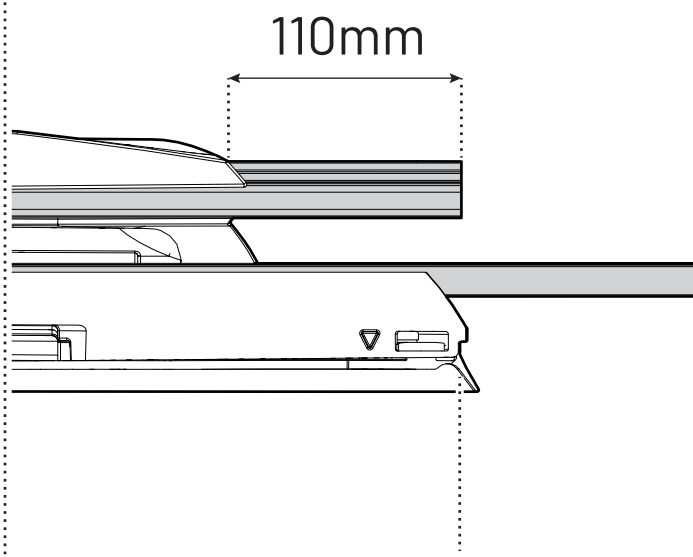
4



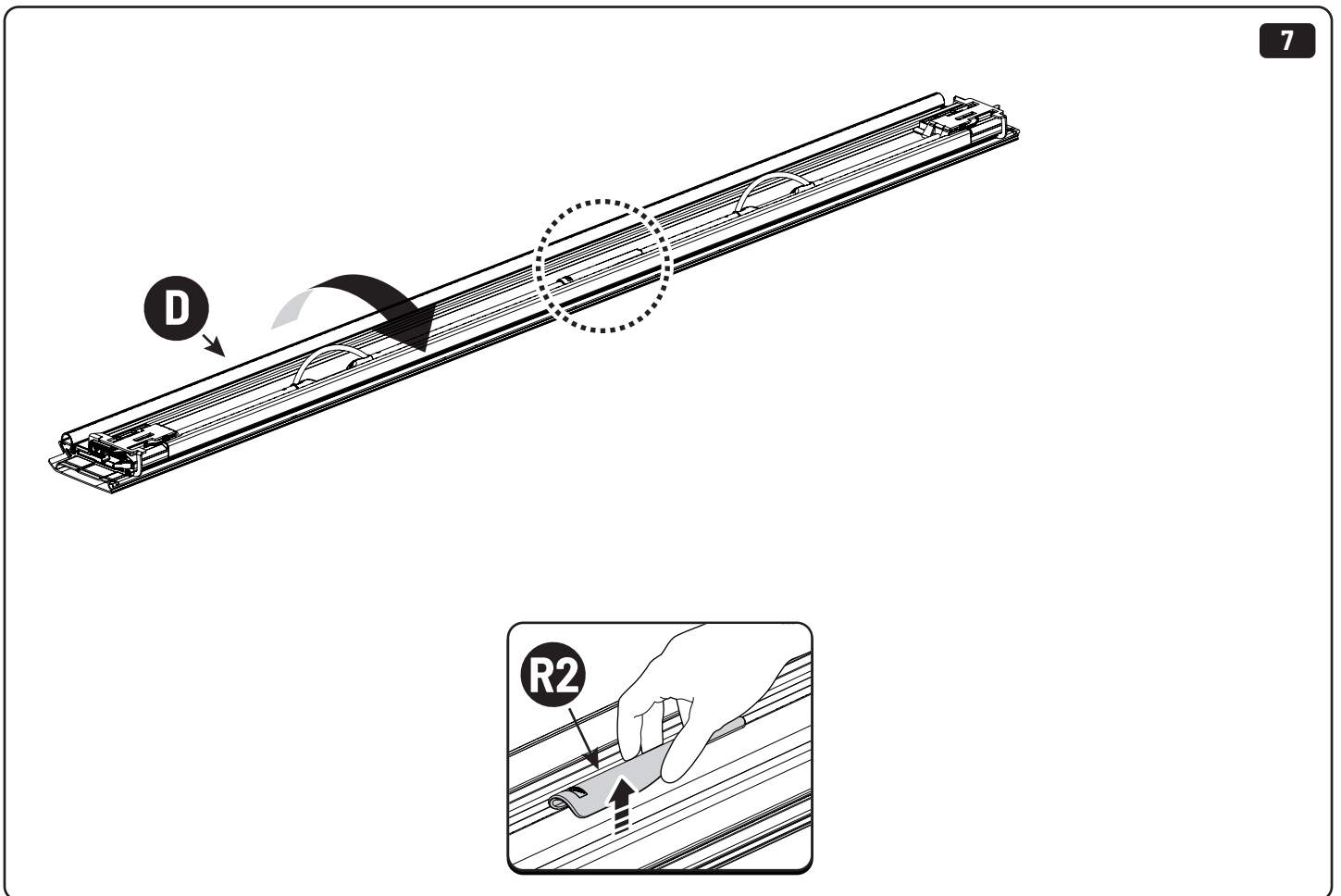
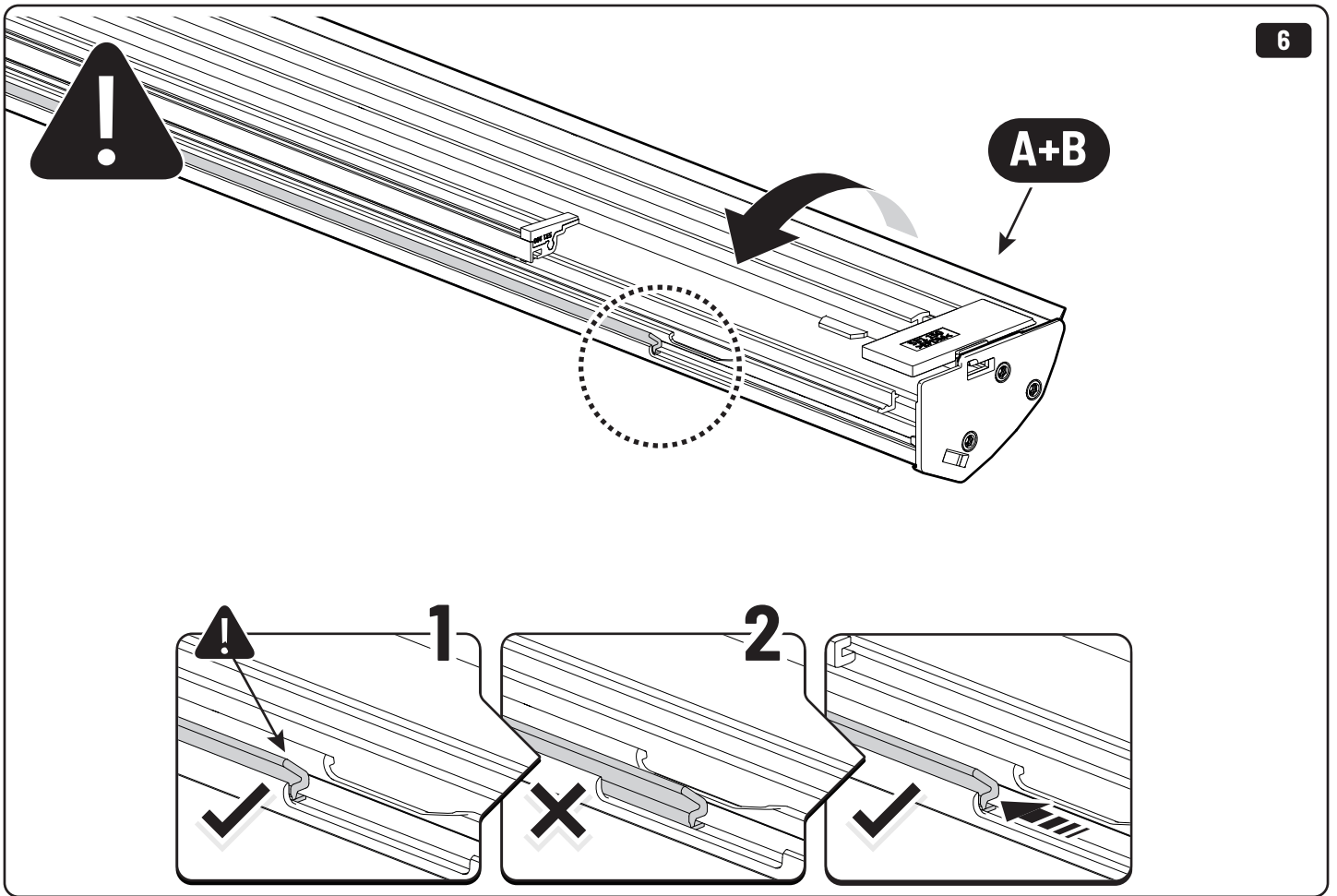
5

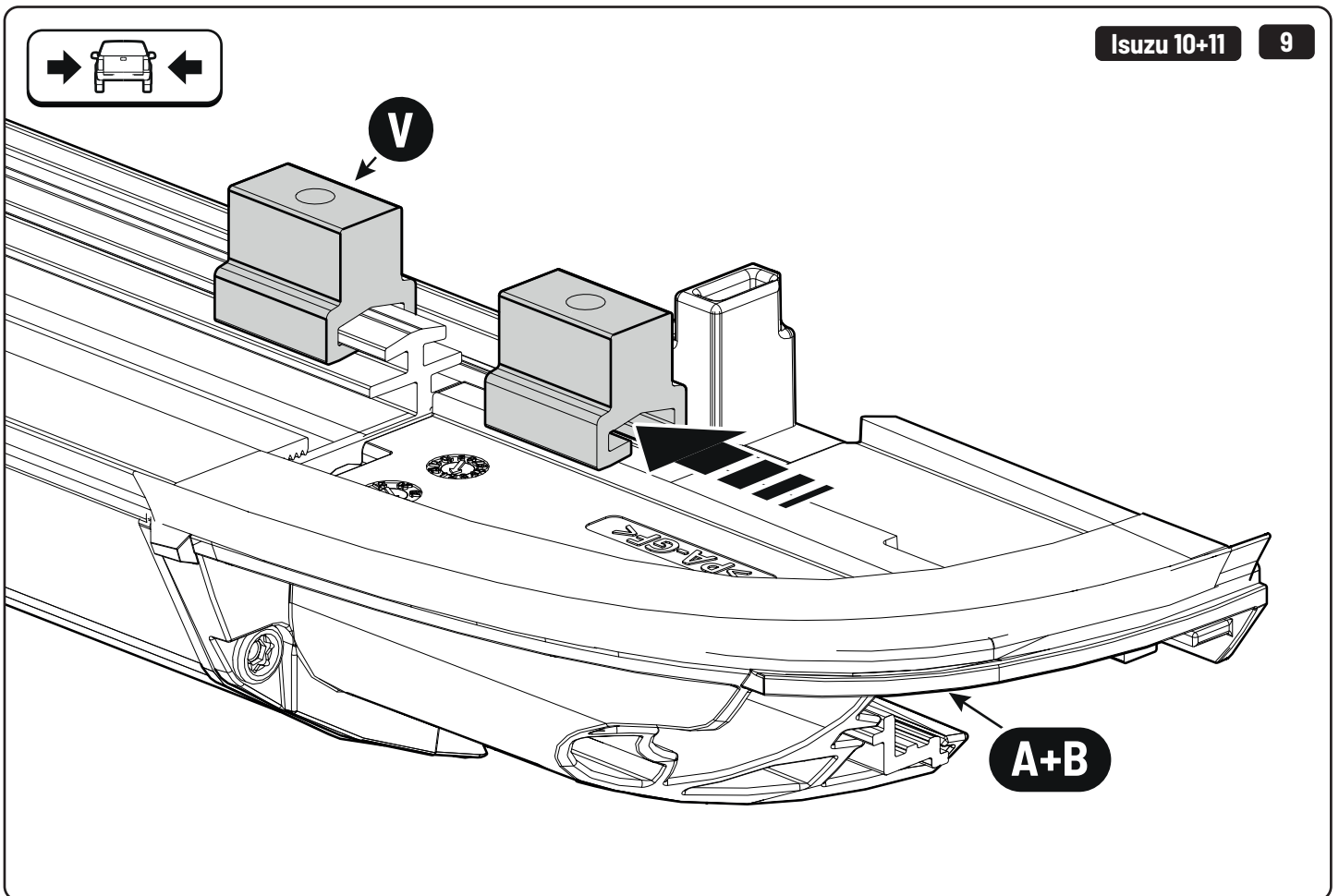
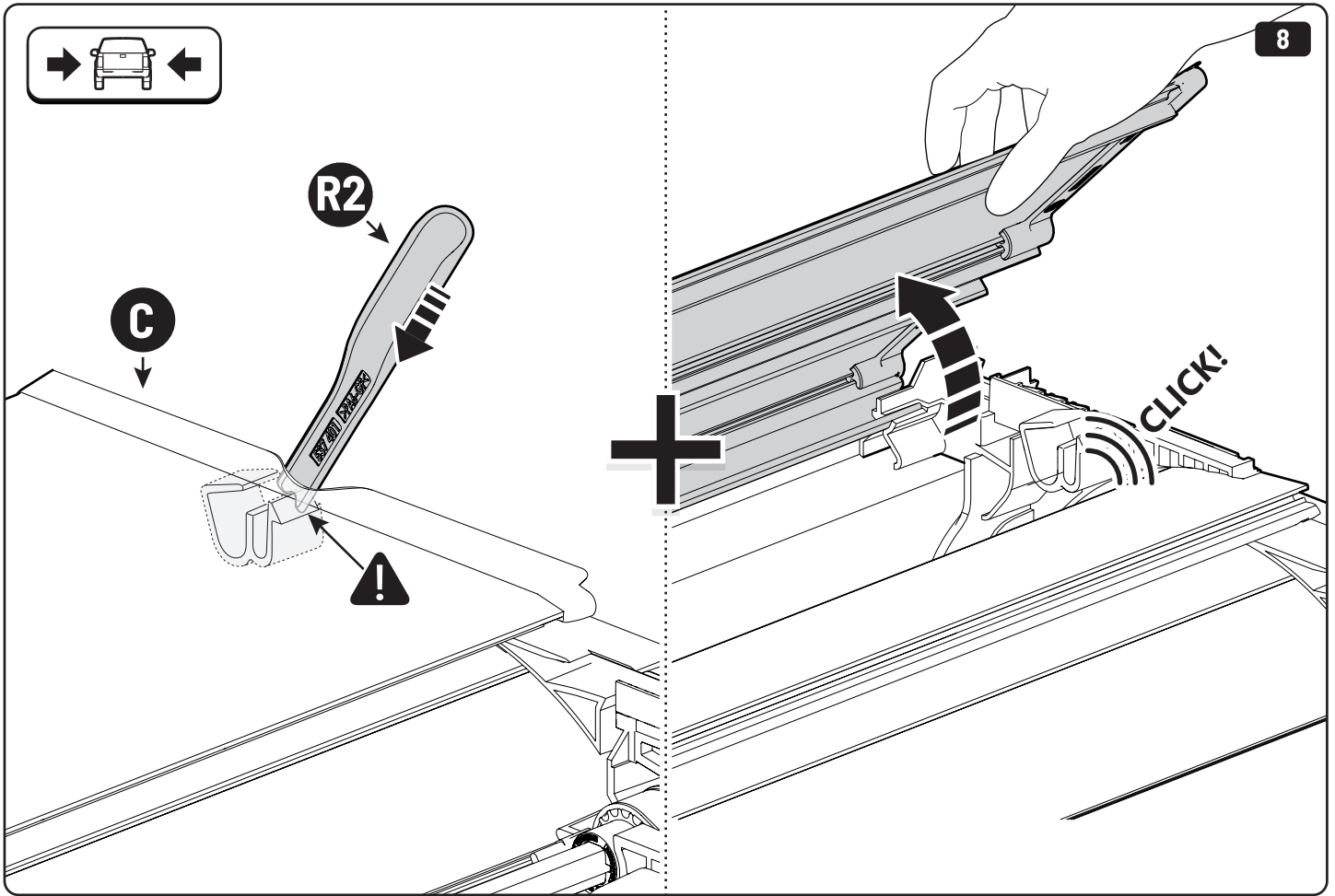


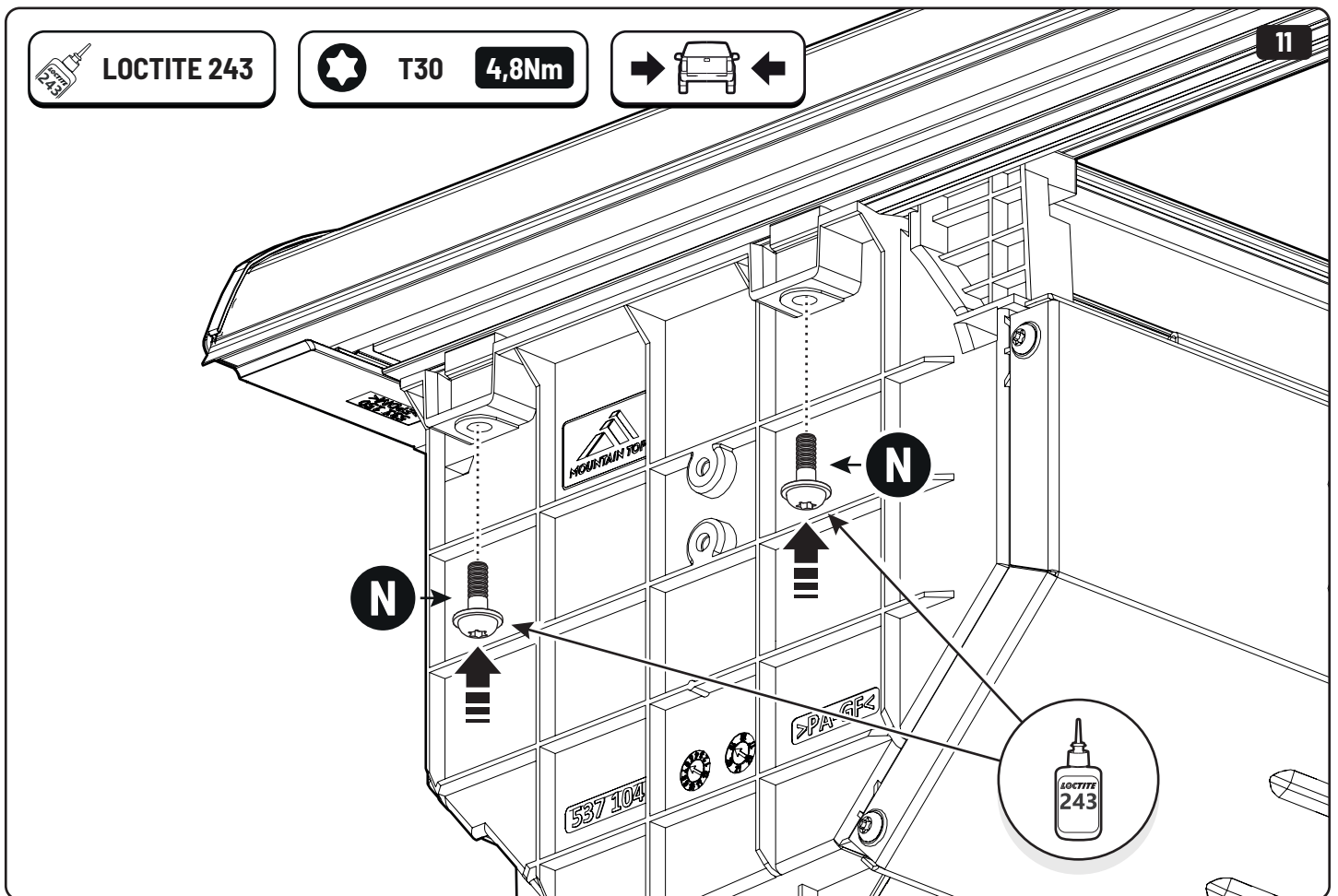
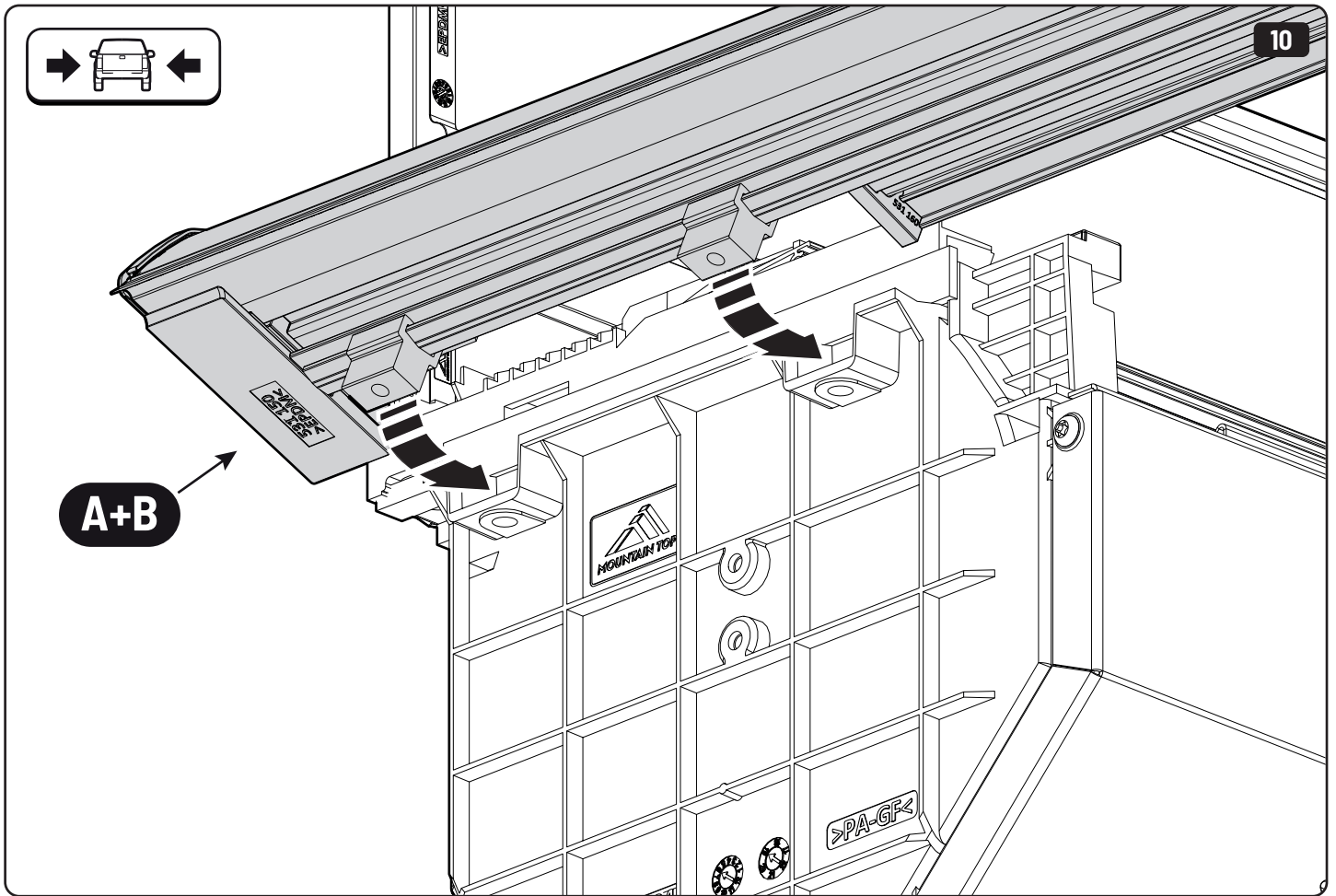
1

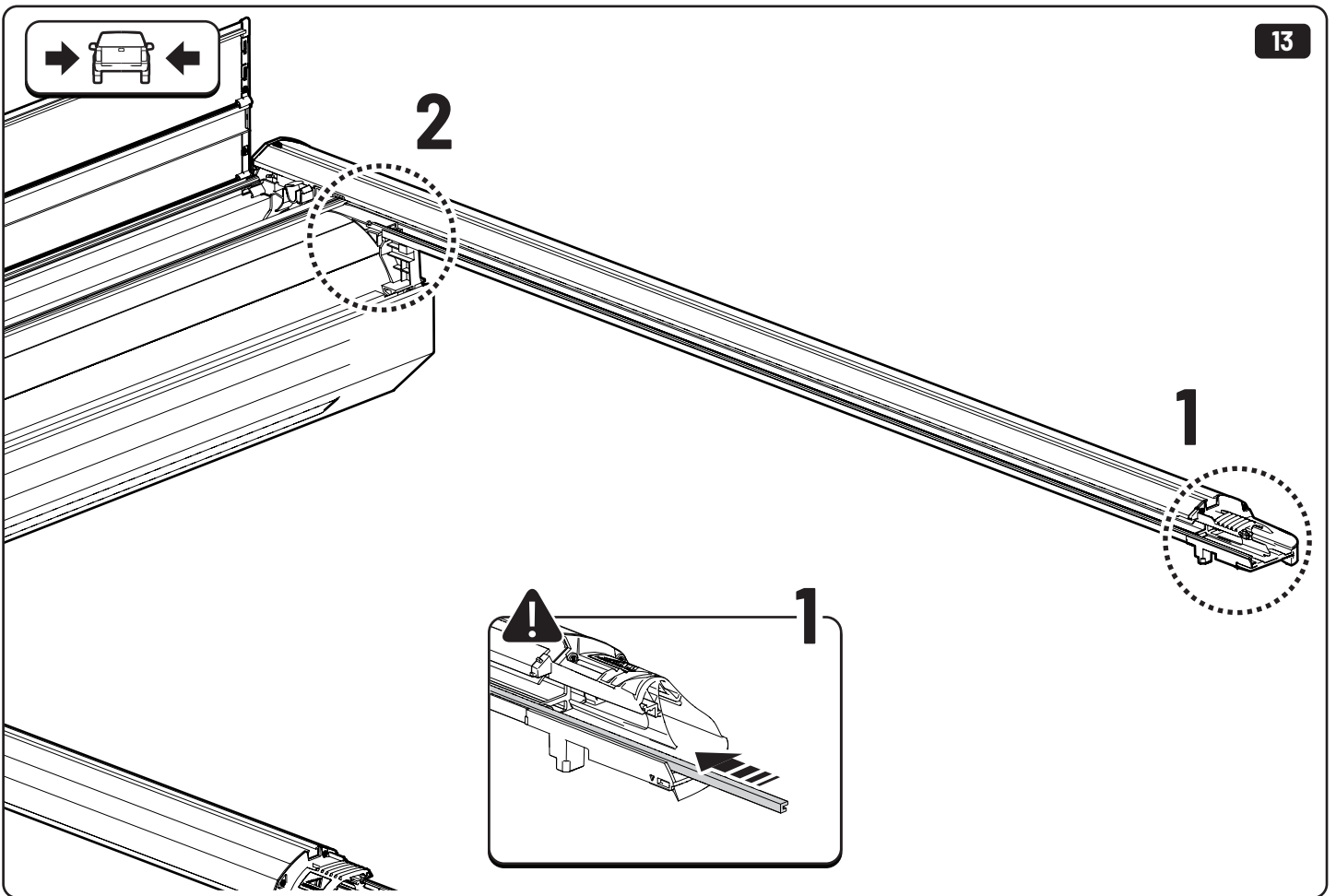
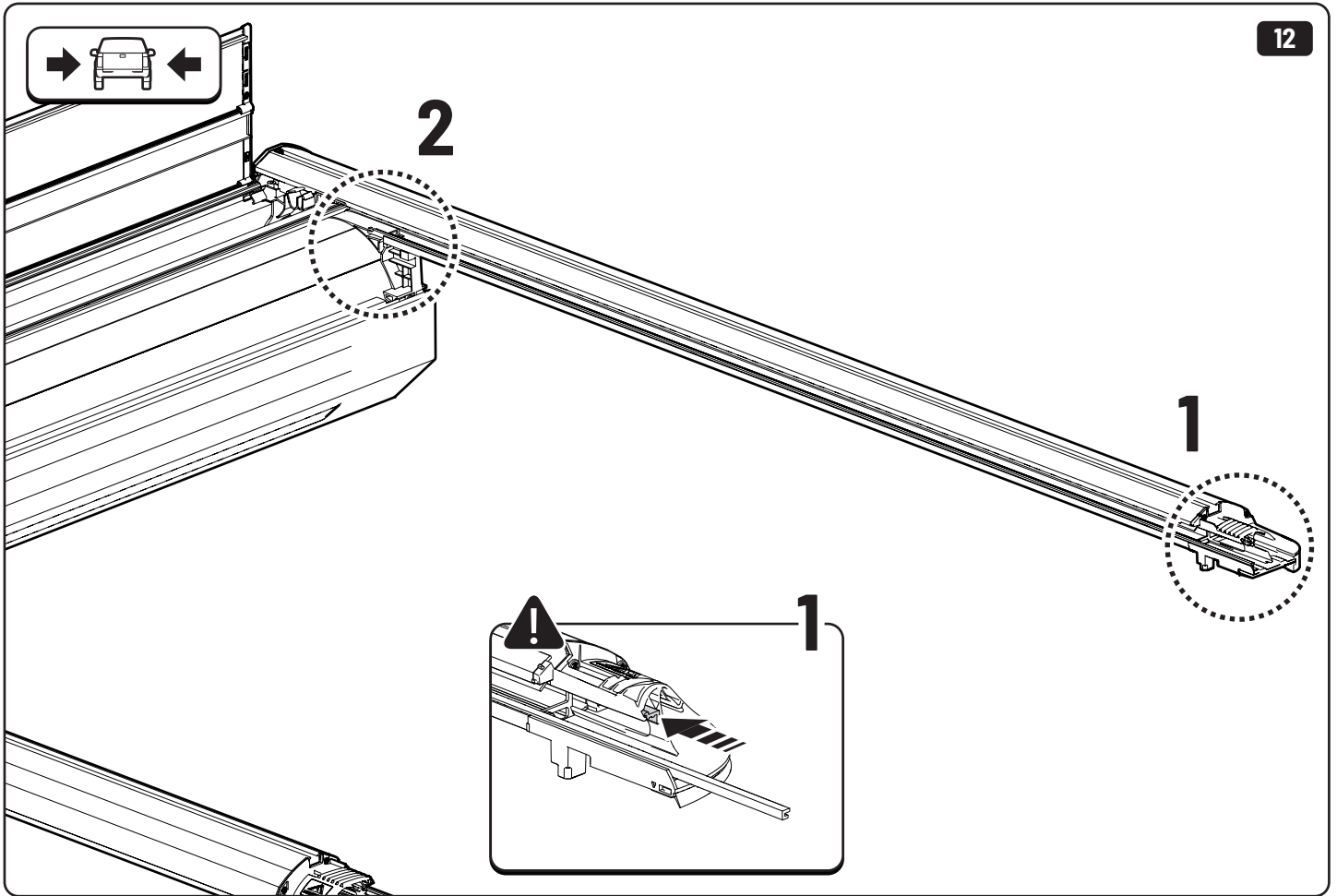


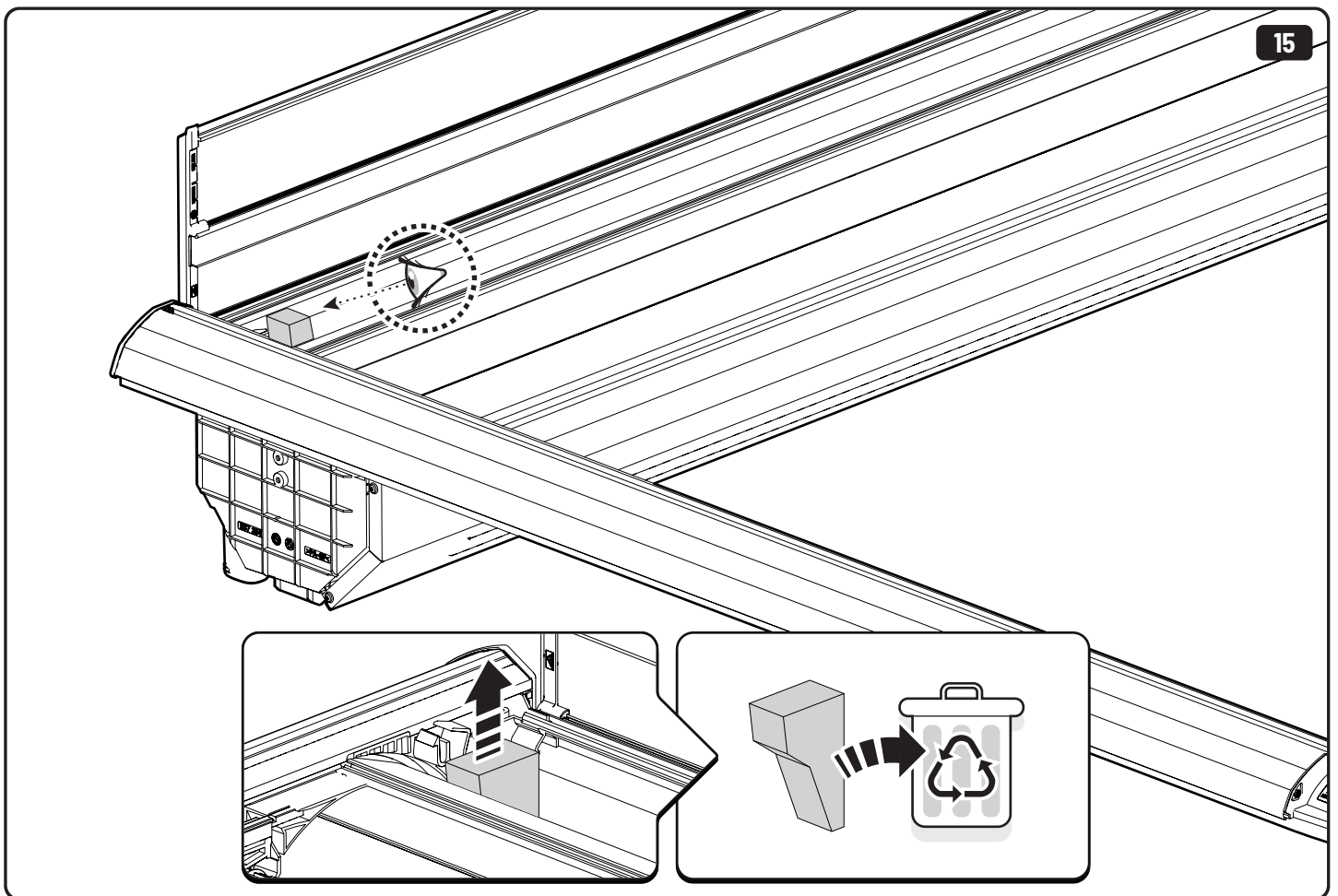
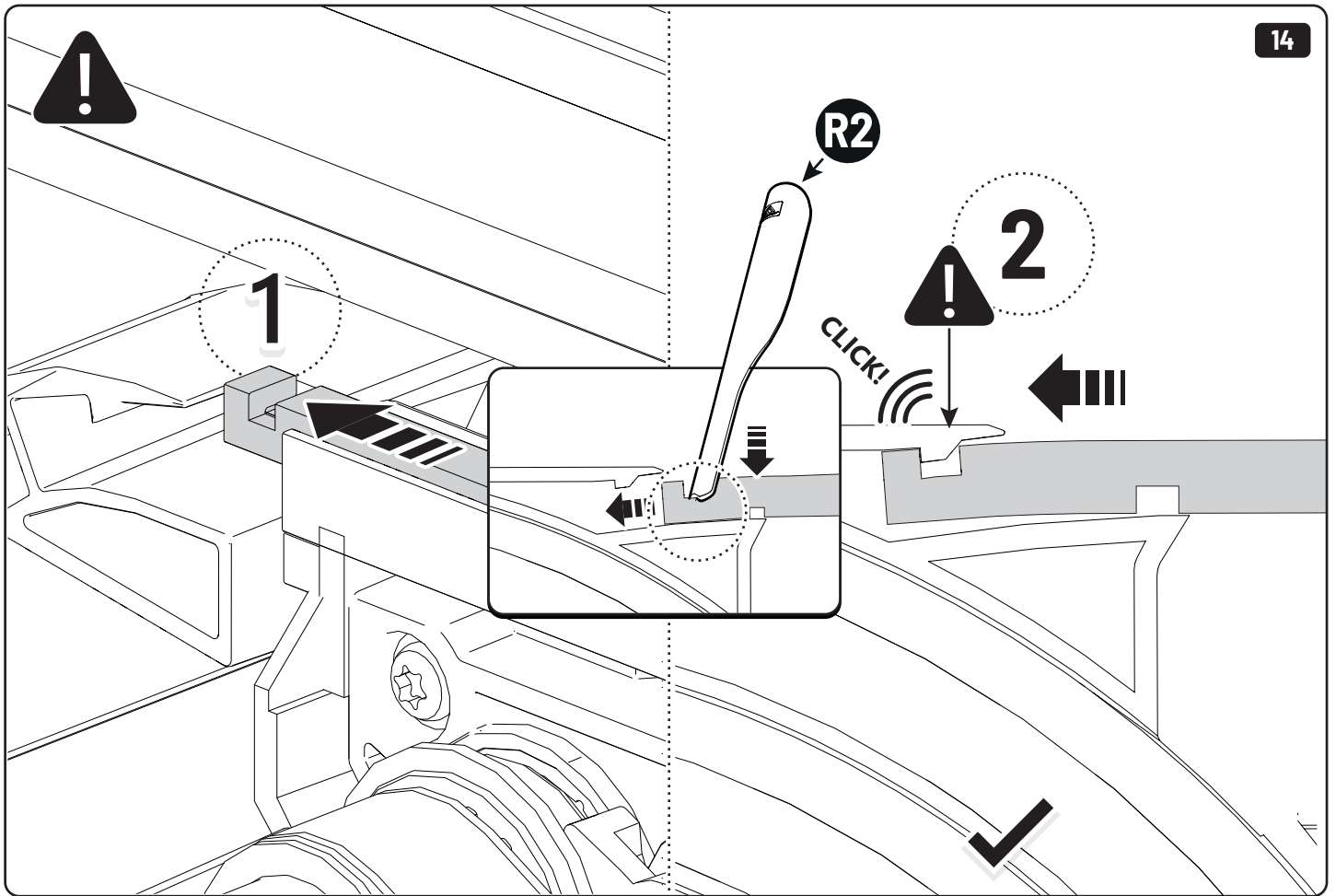
2

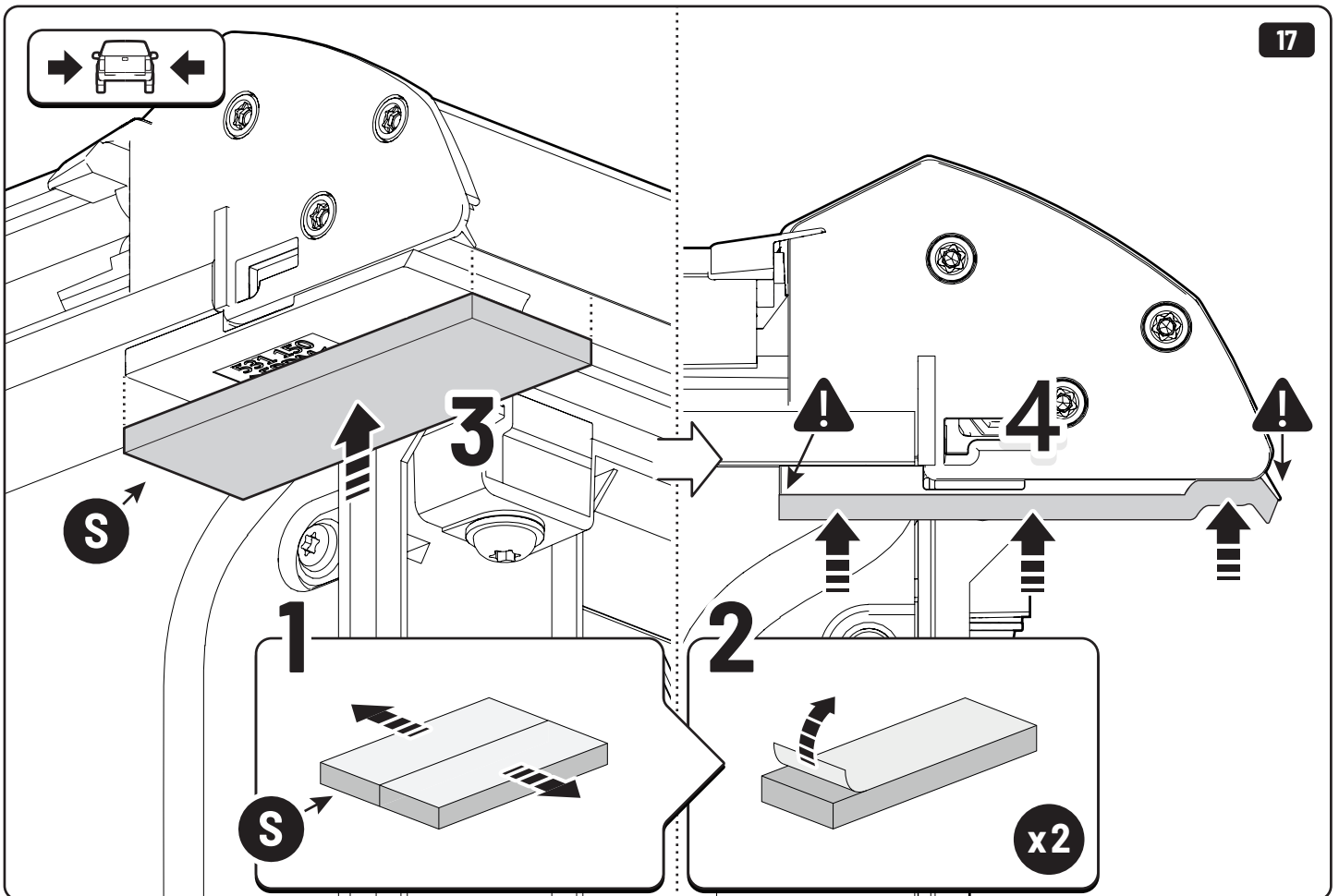
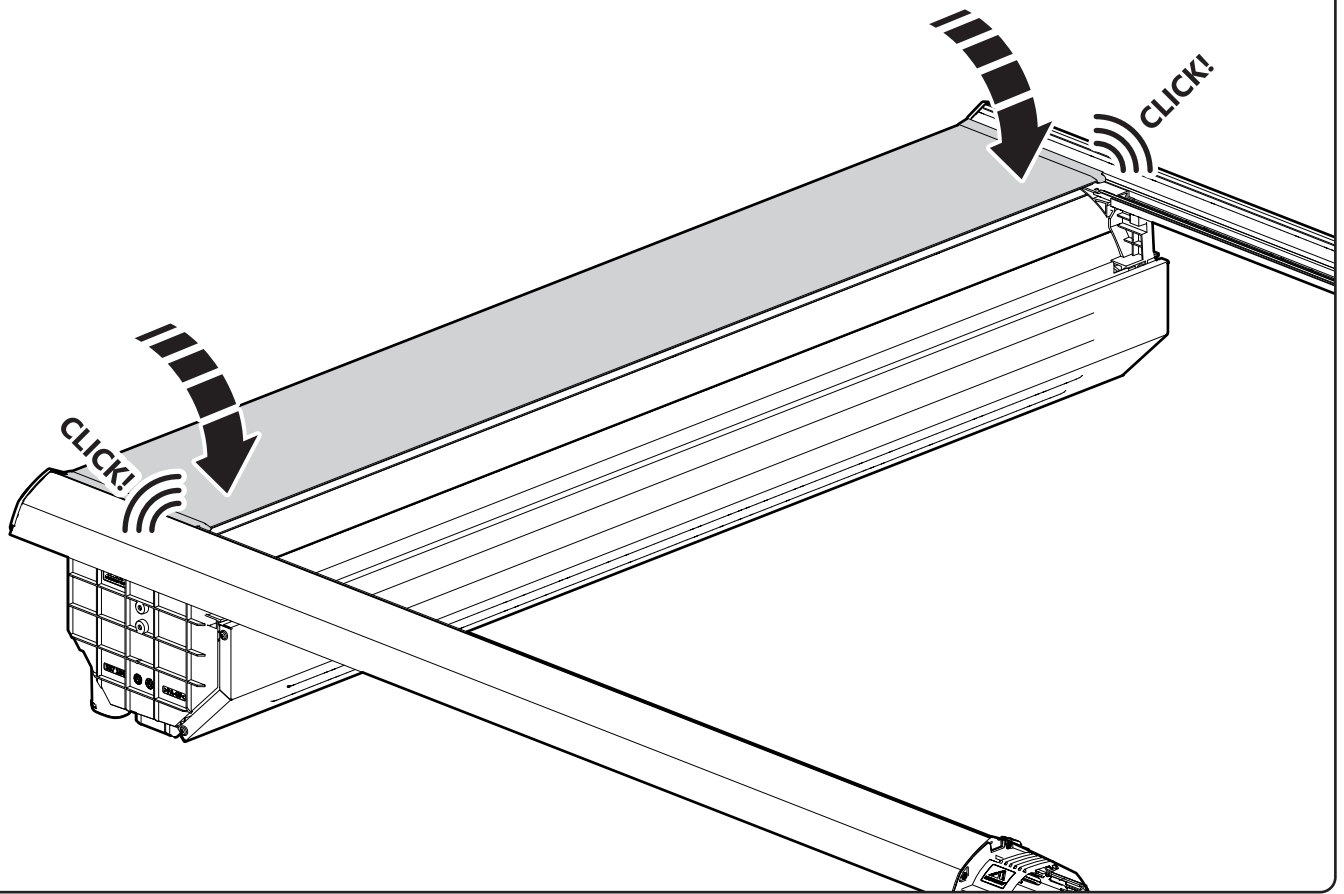


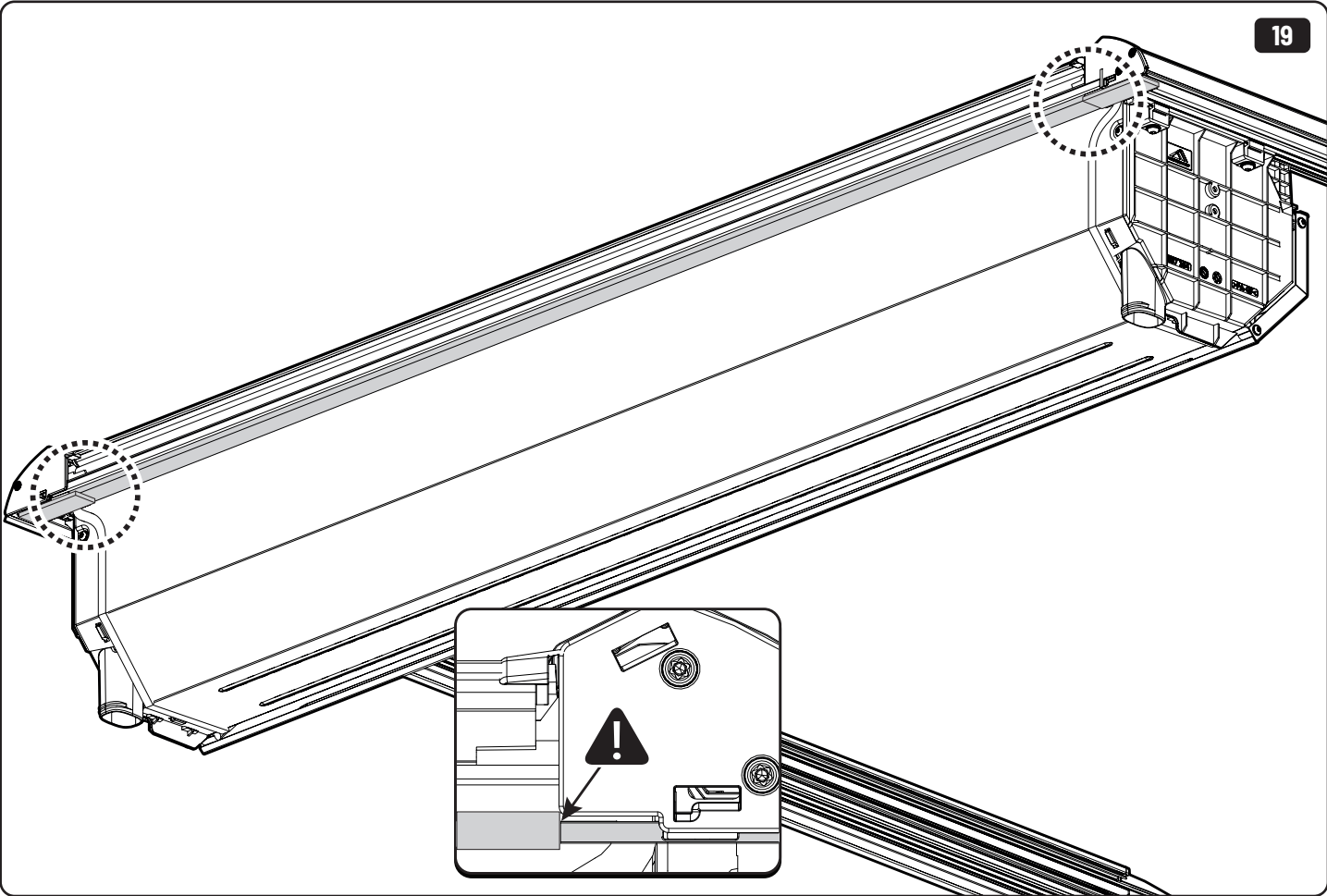
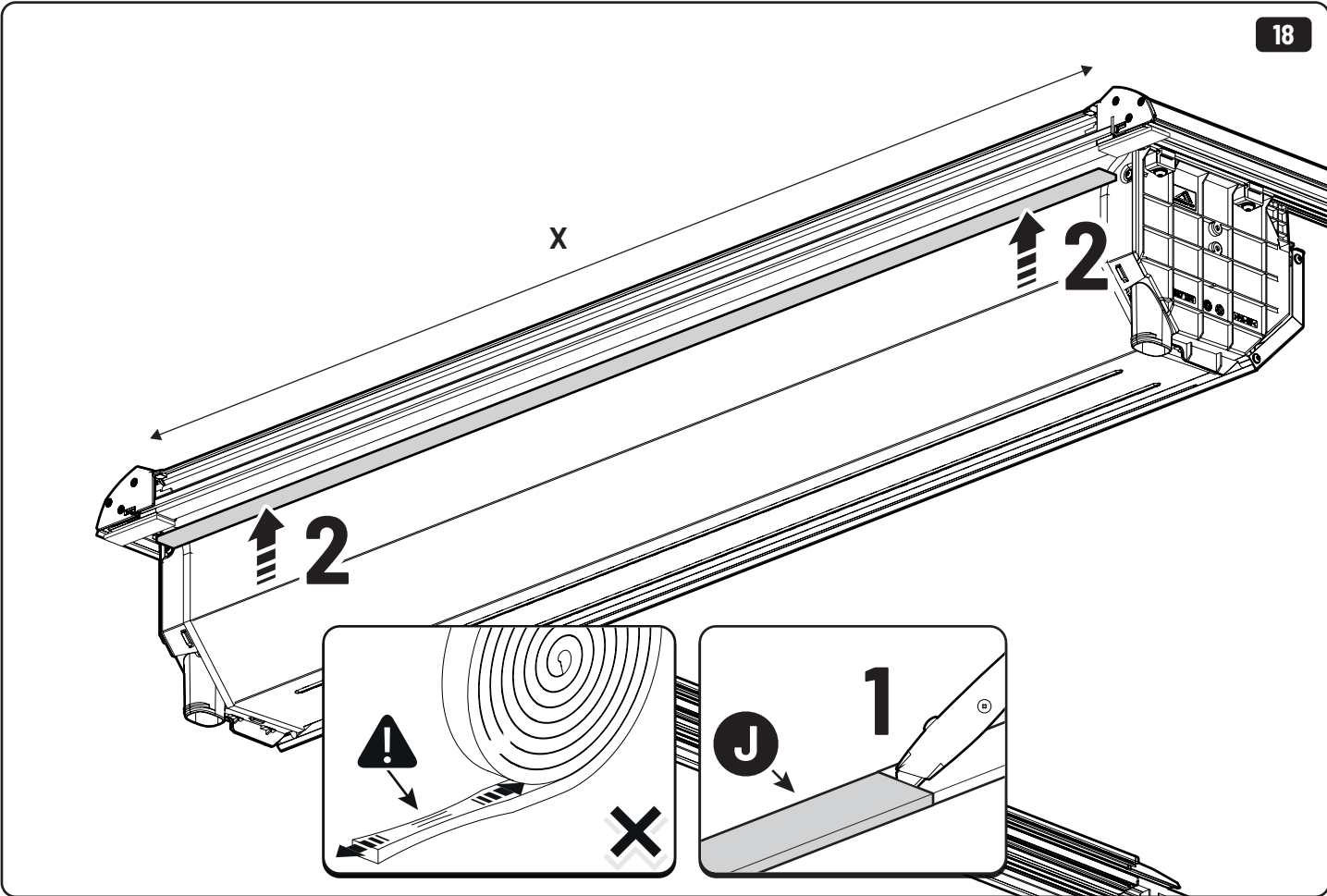


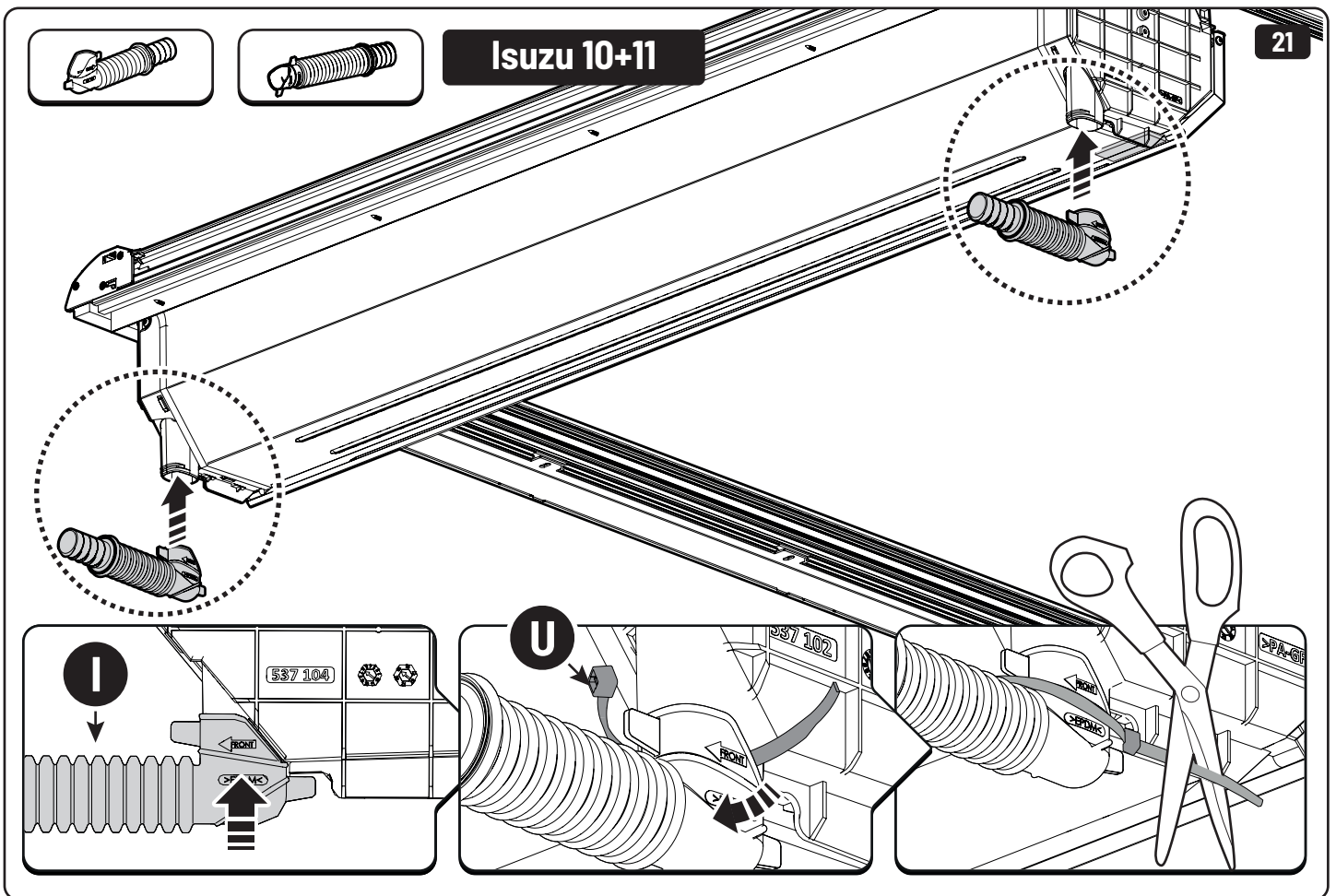
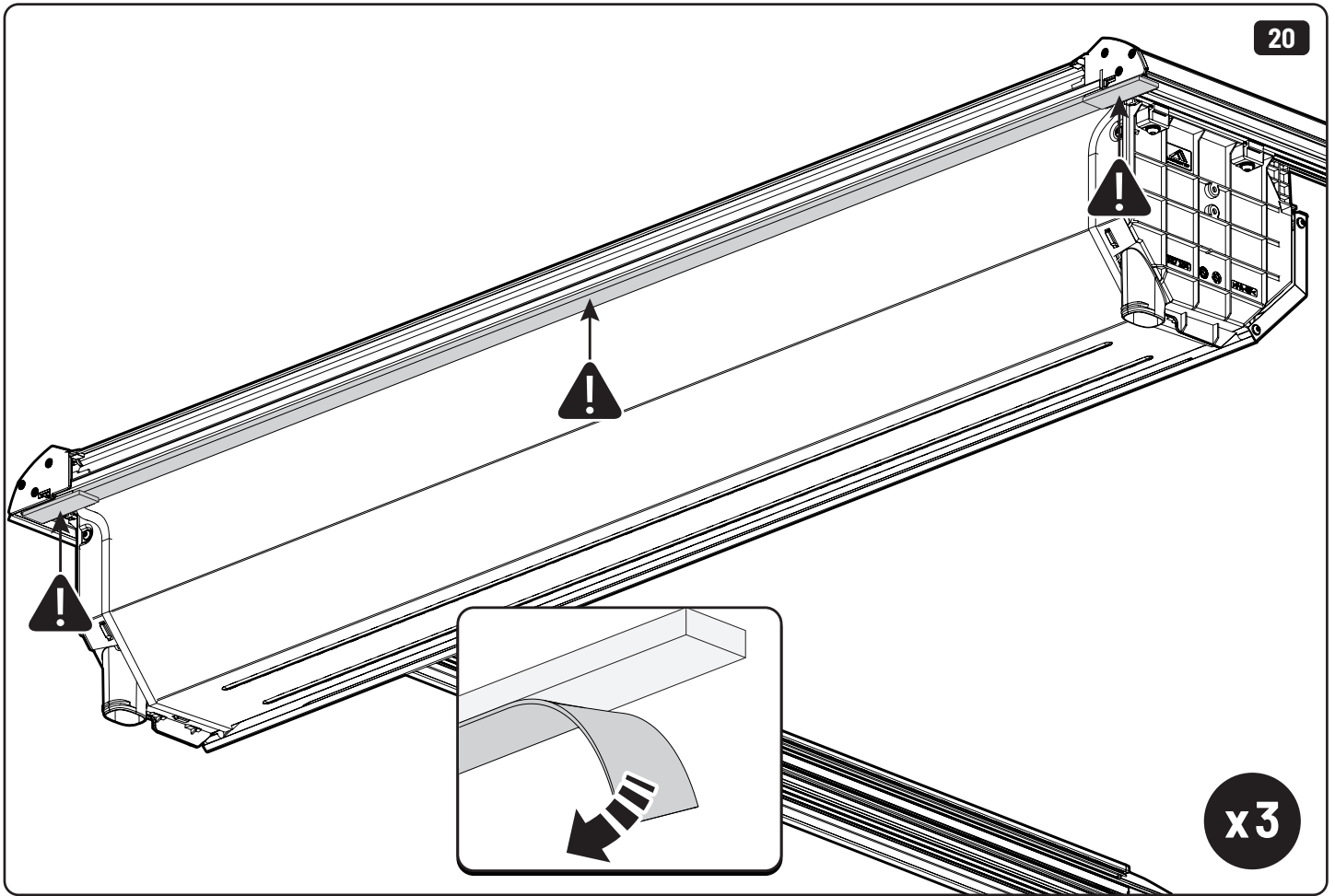






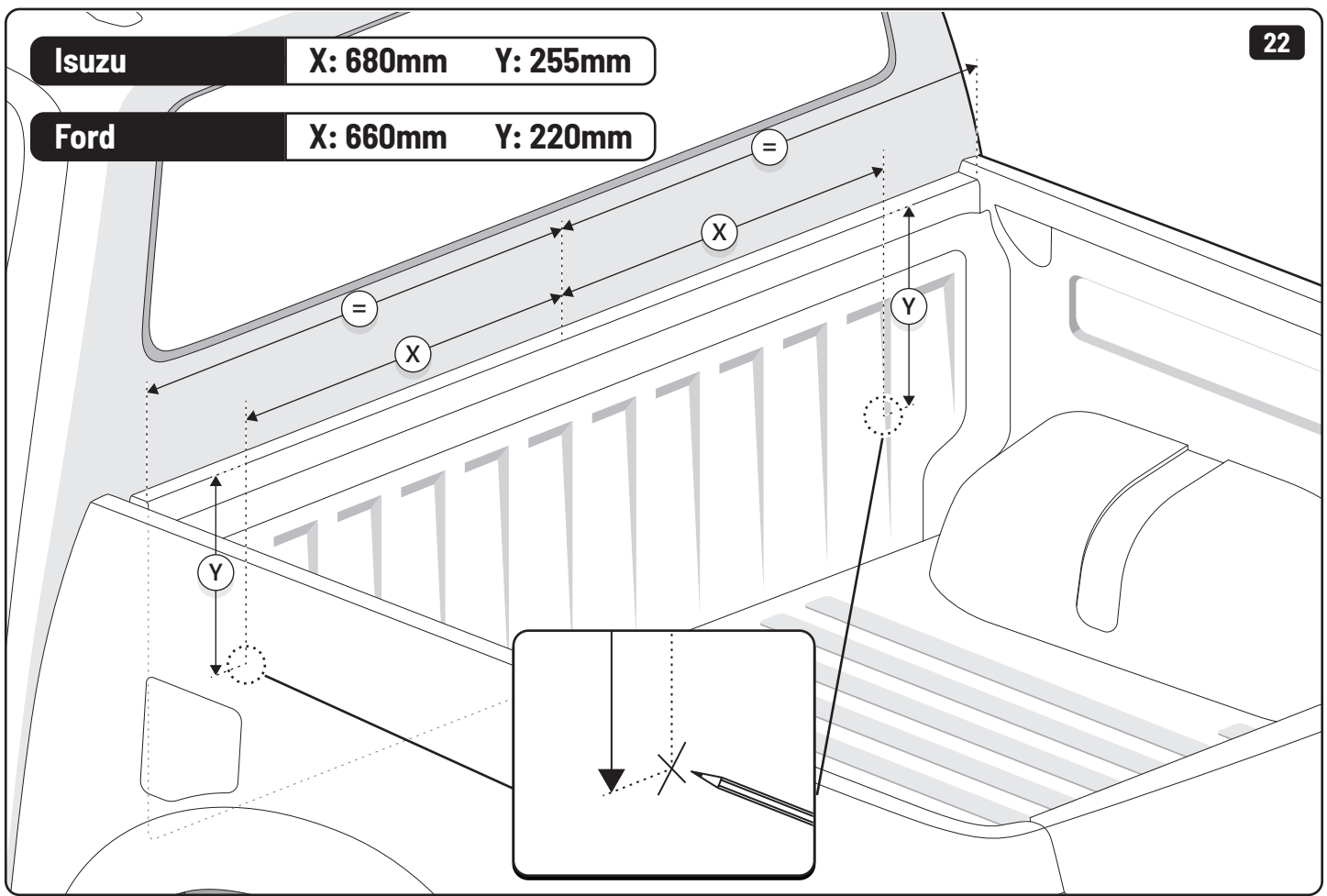






Isuzu X: 680mm Y: 255mm

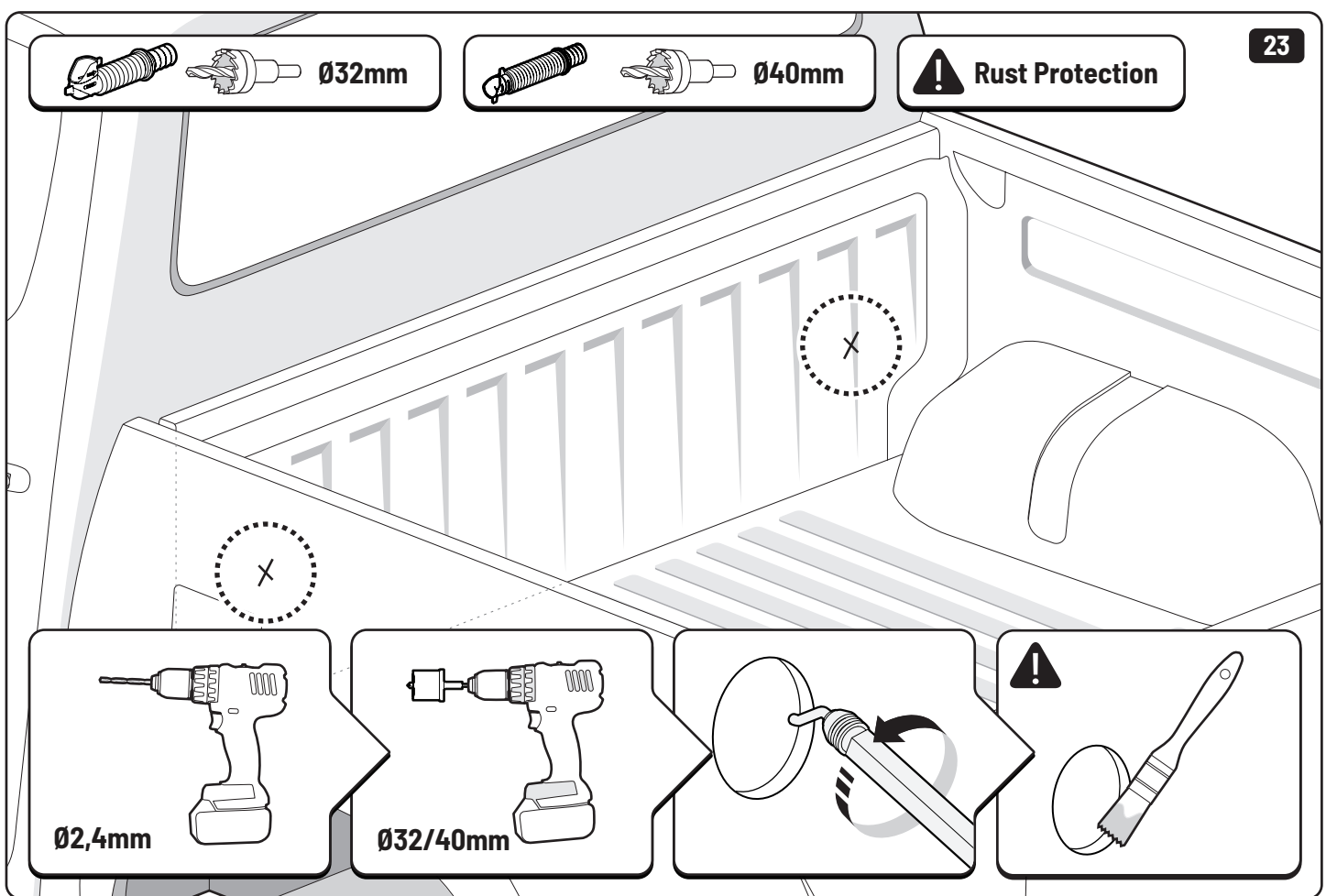
Ford X: 660mm Y: 220mm

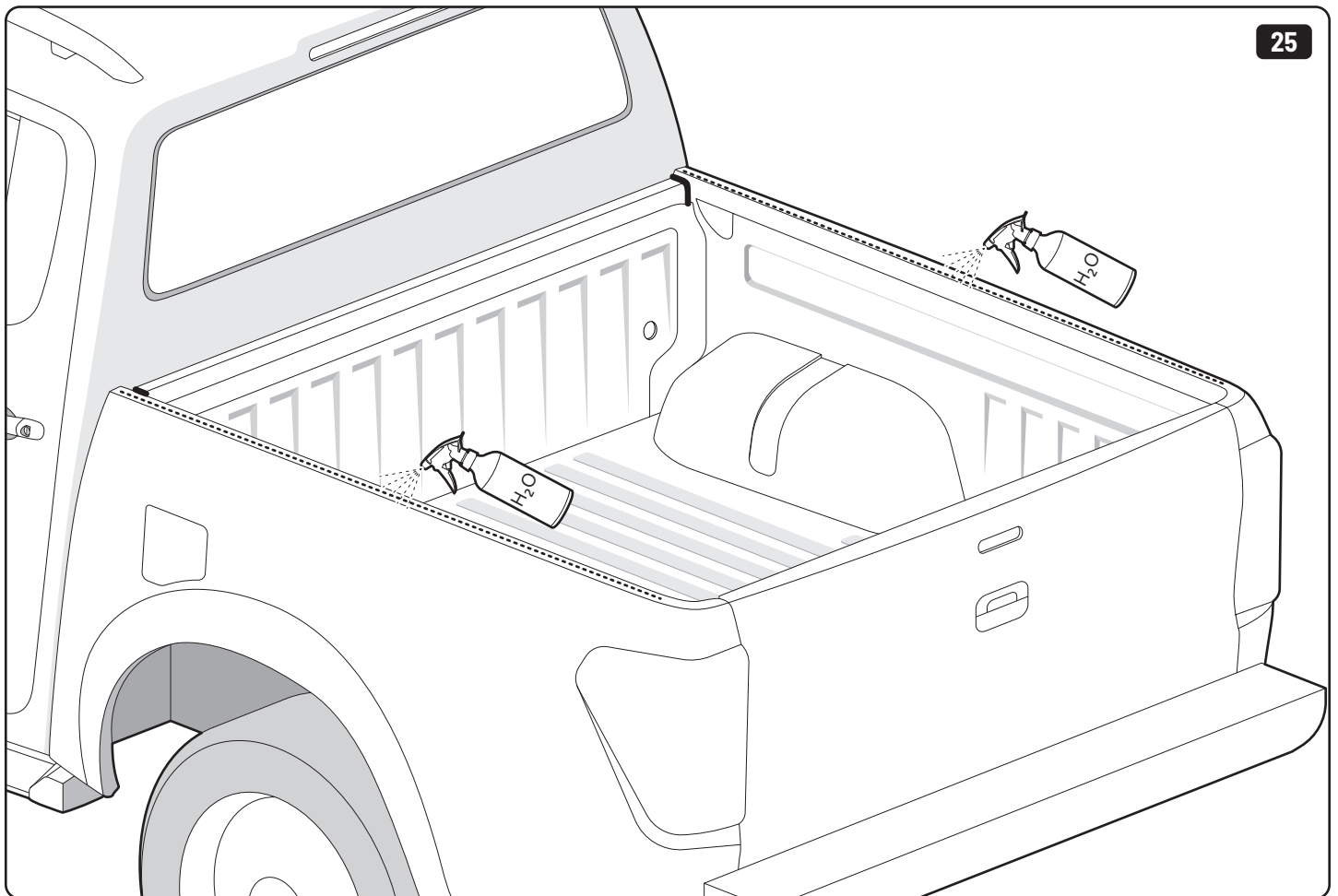
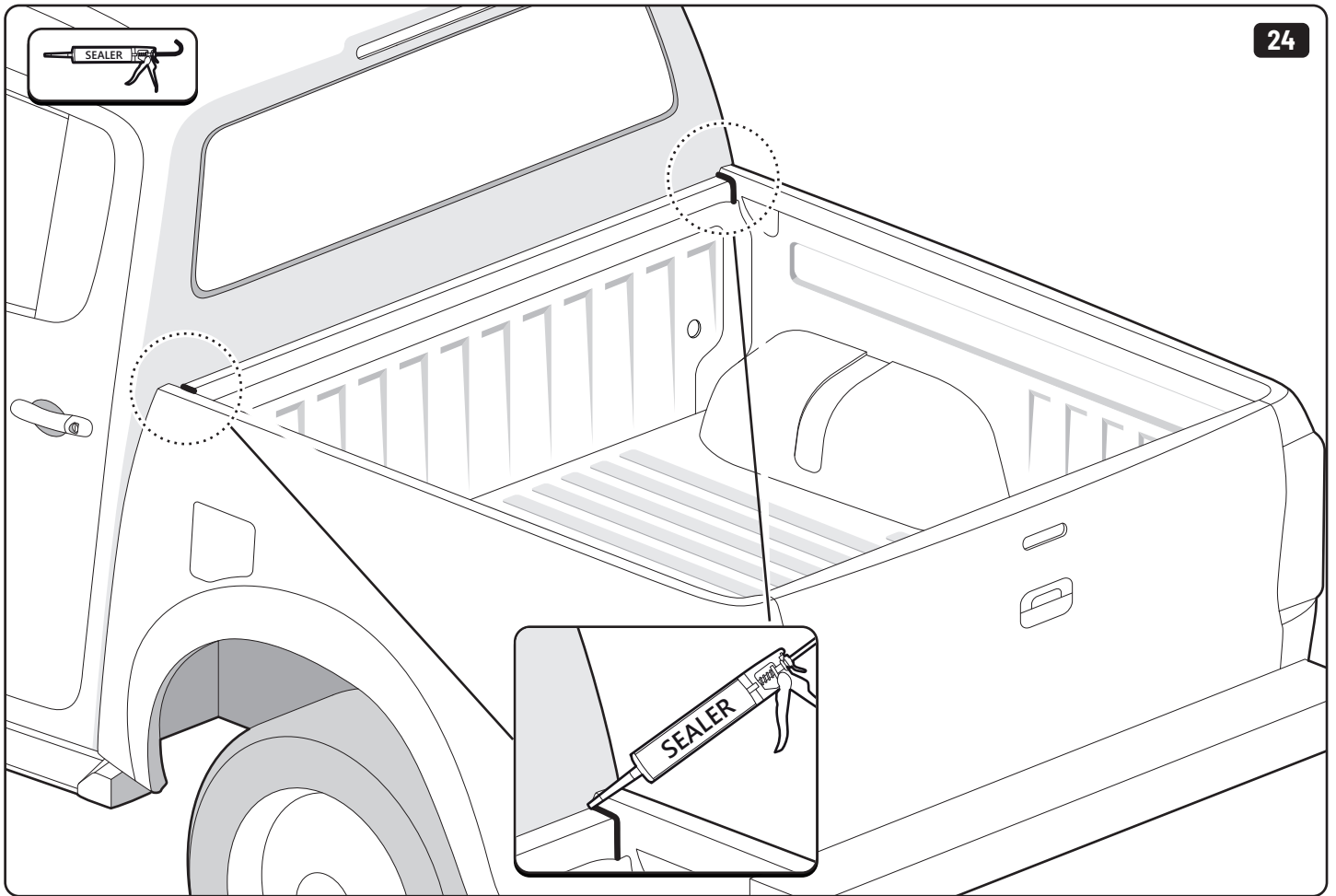


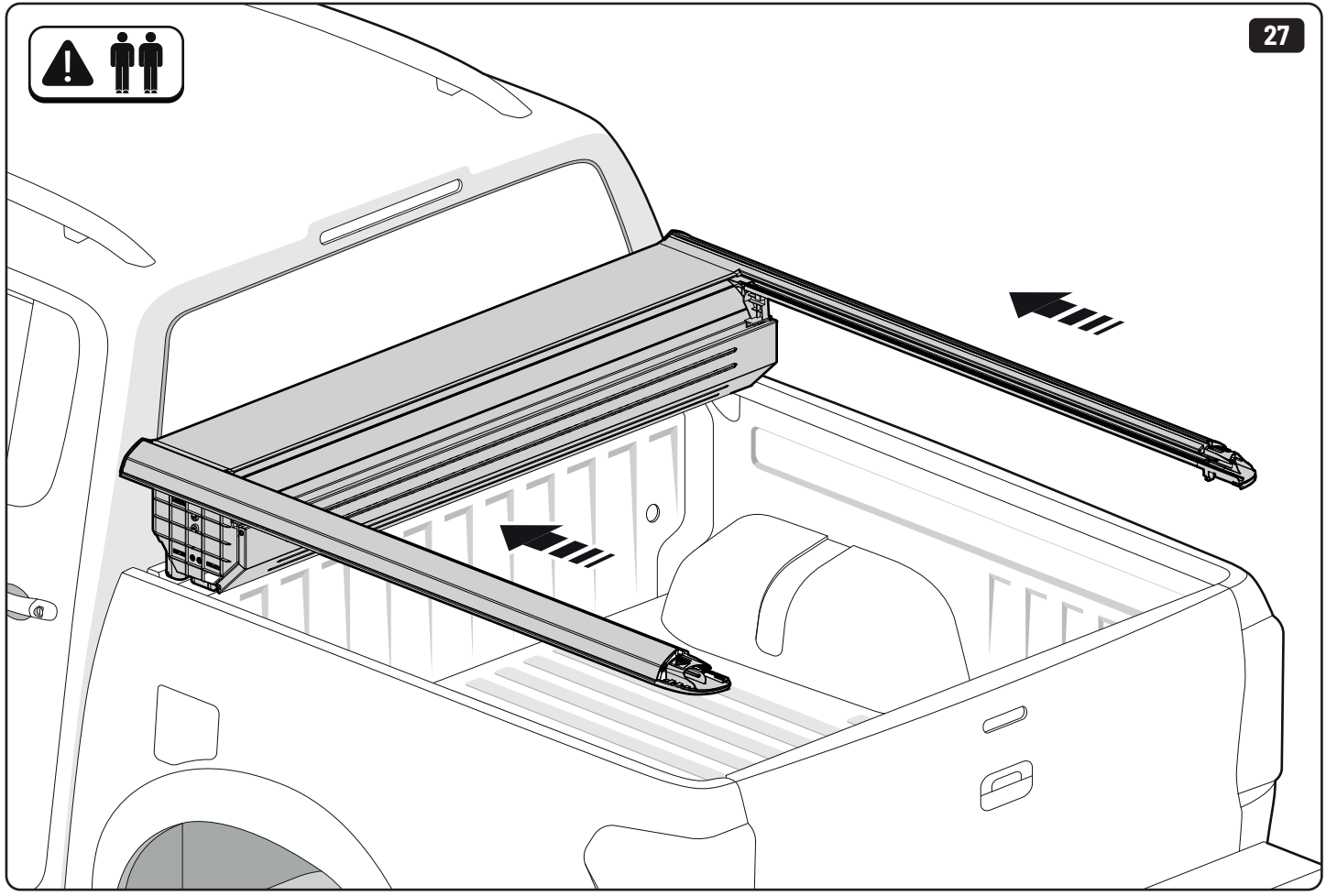
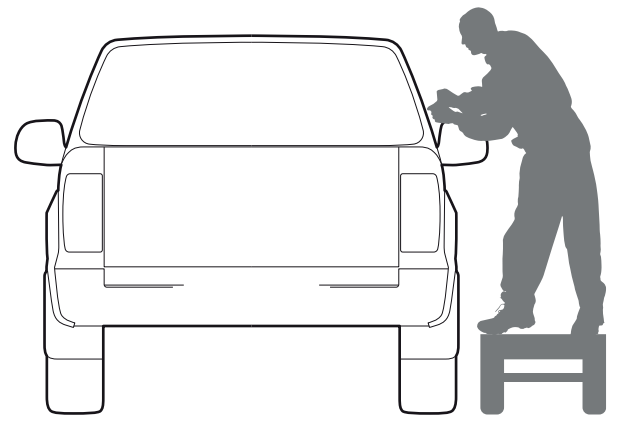
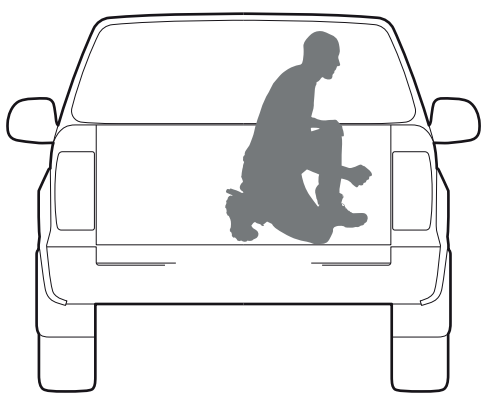
Ø32mm

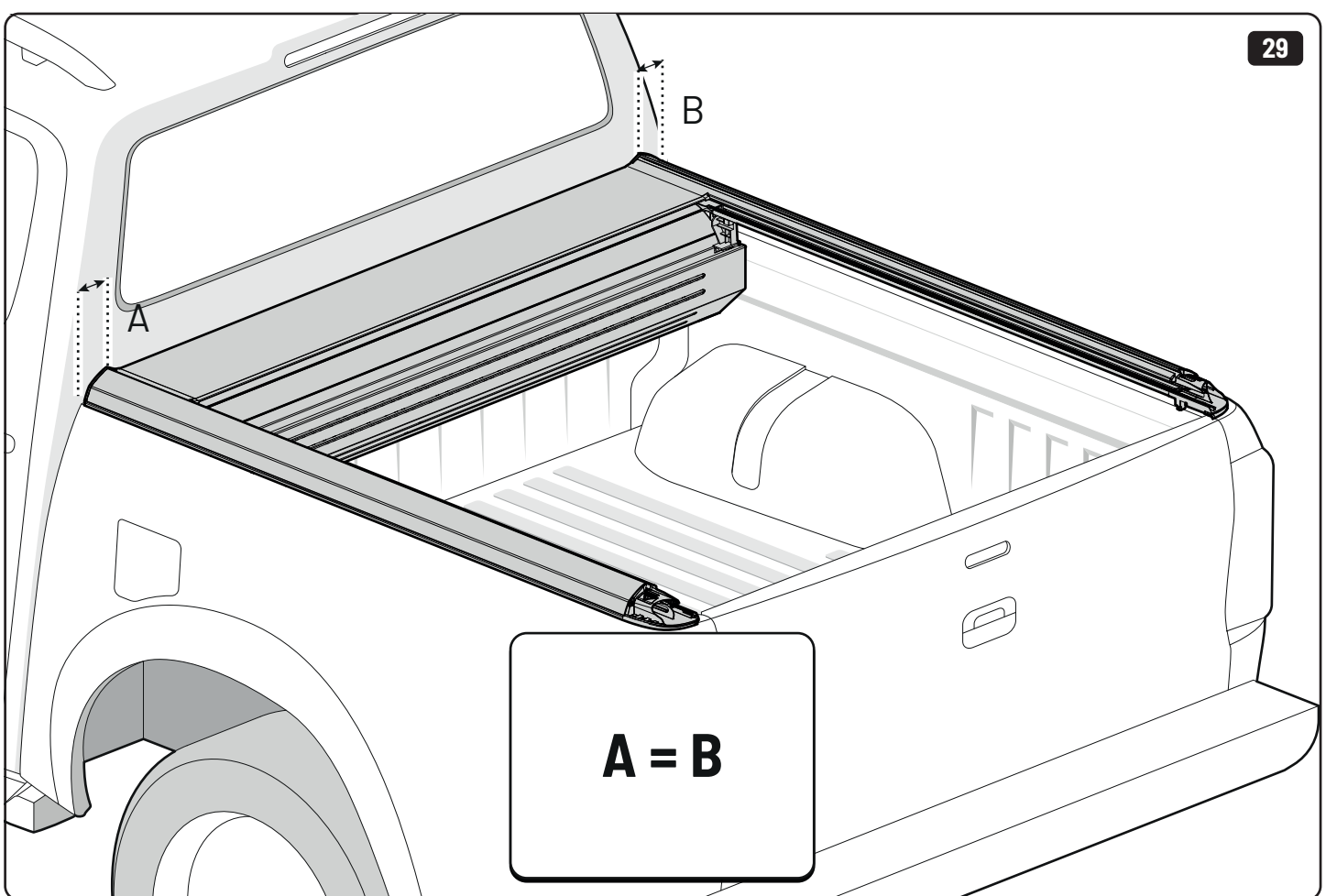
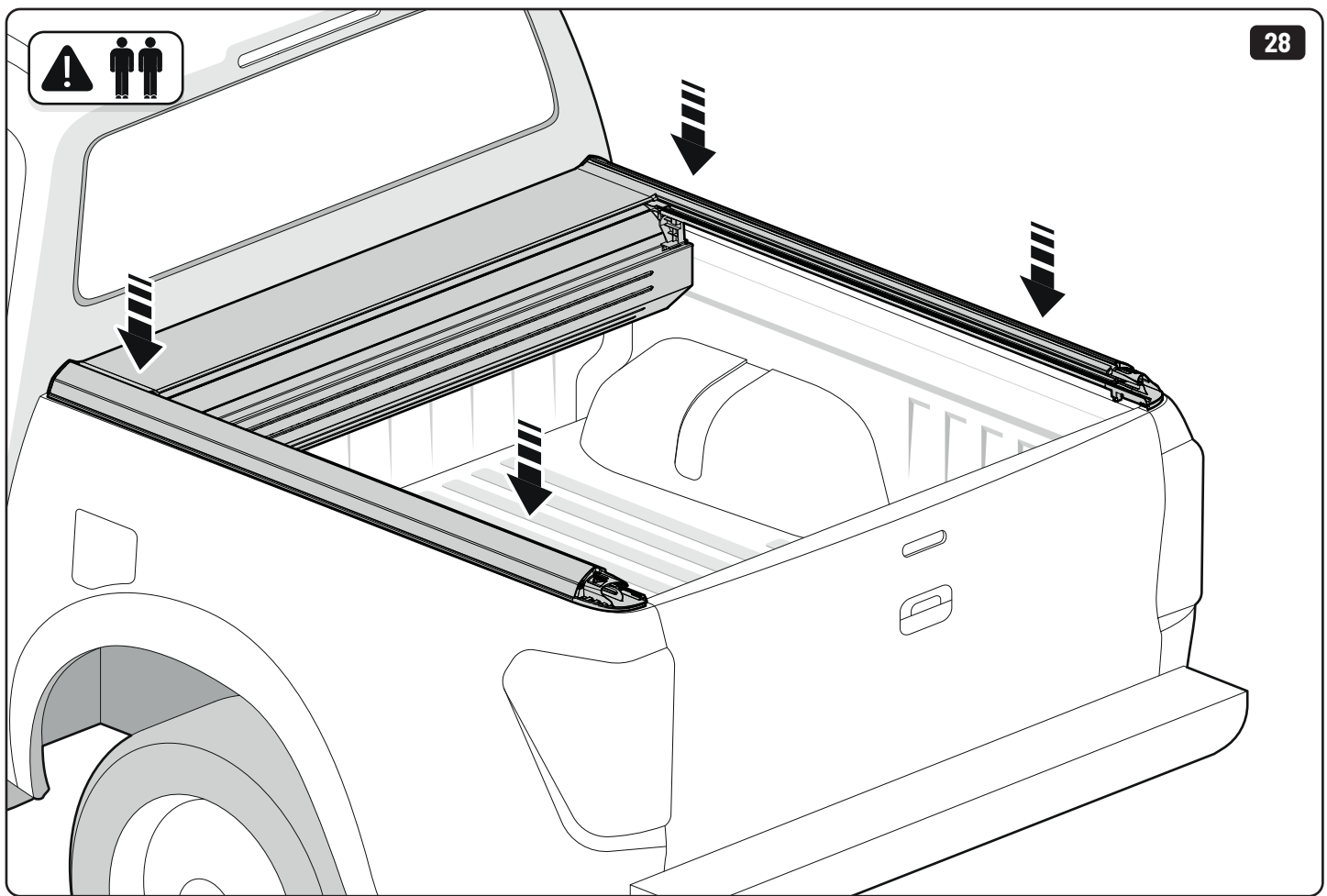
Ø40mm

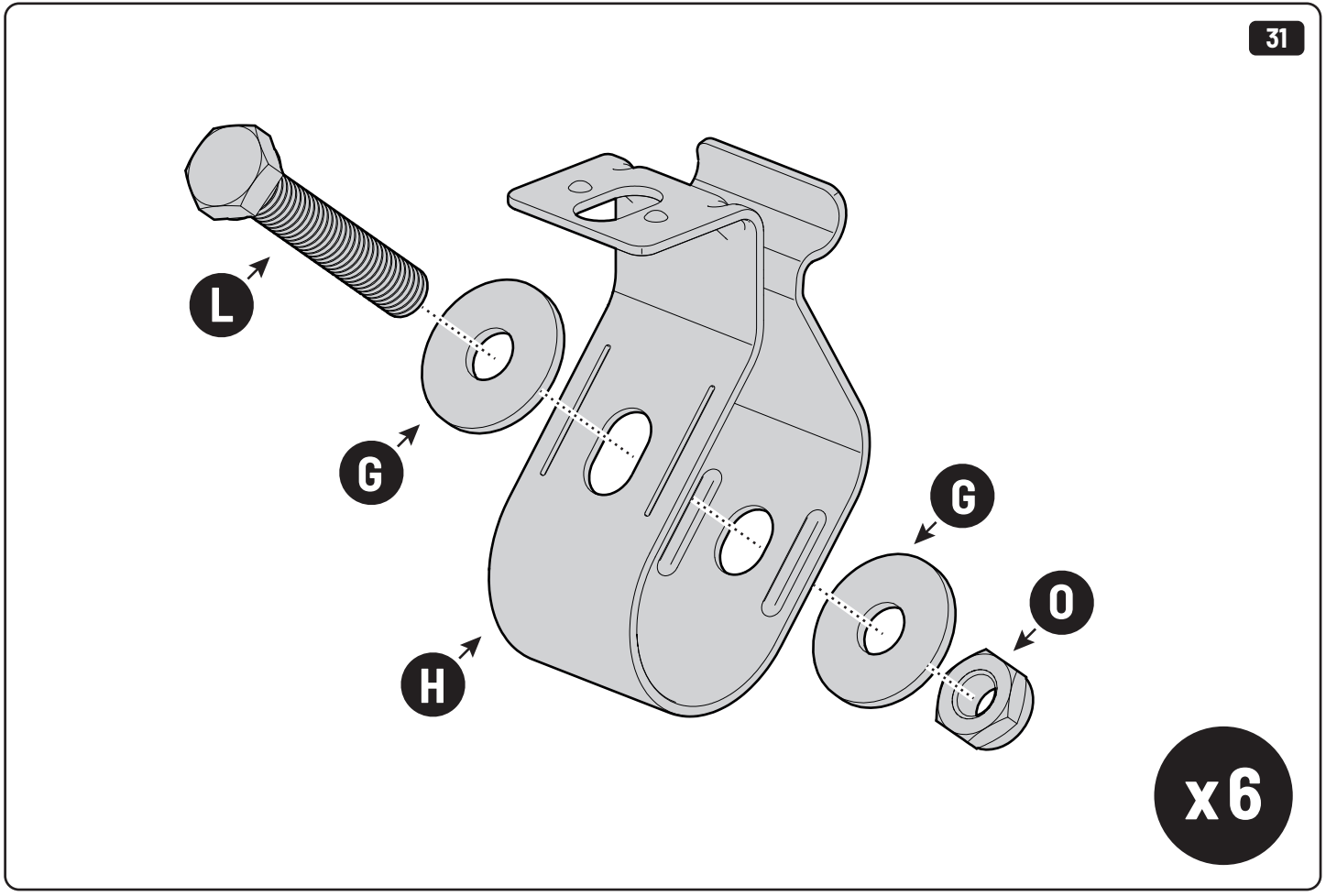
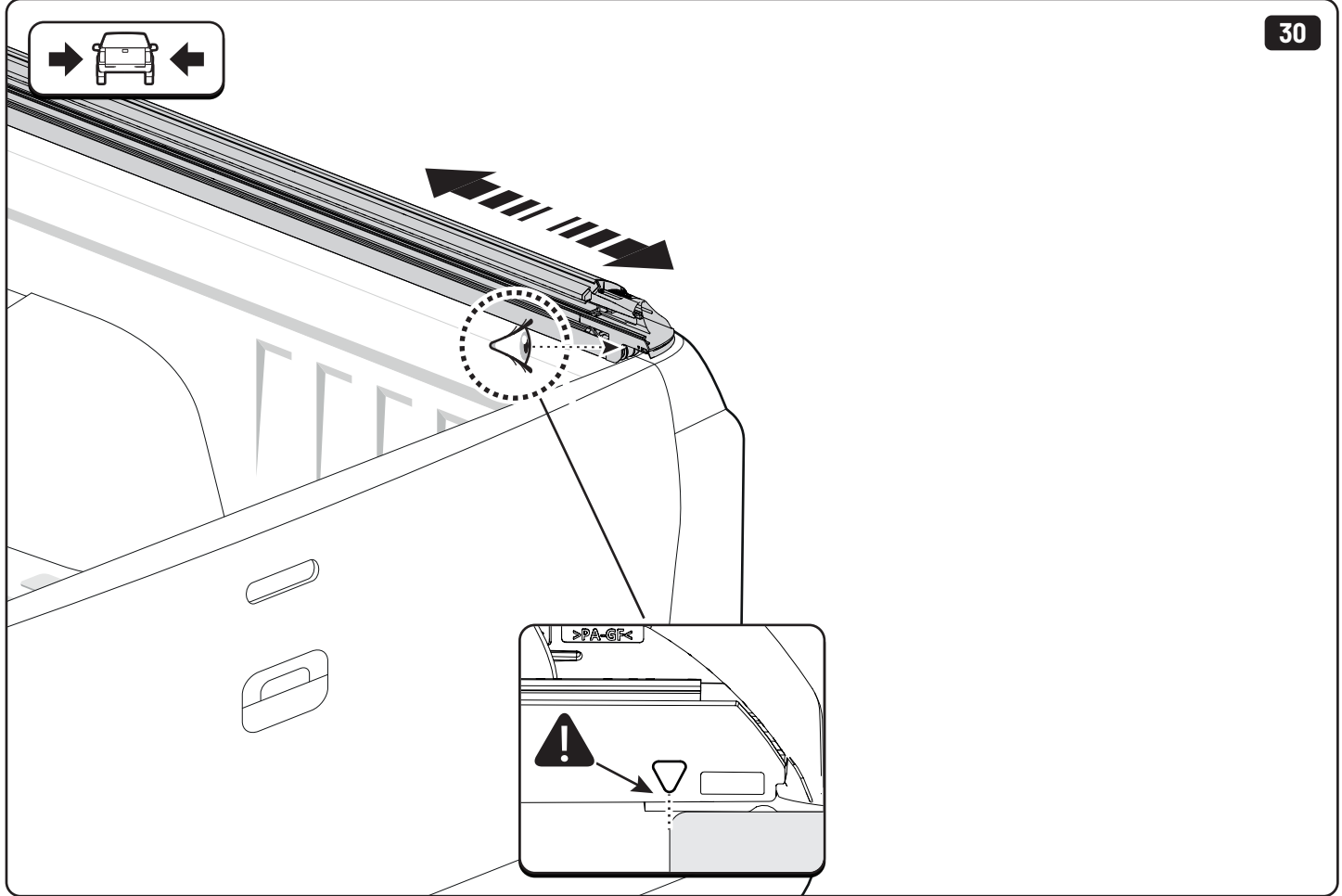
Rust Protection

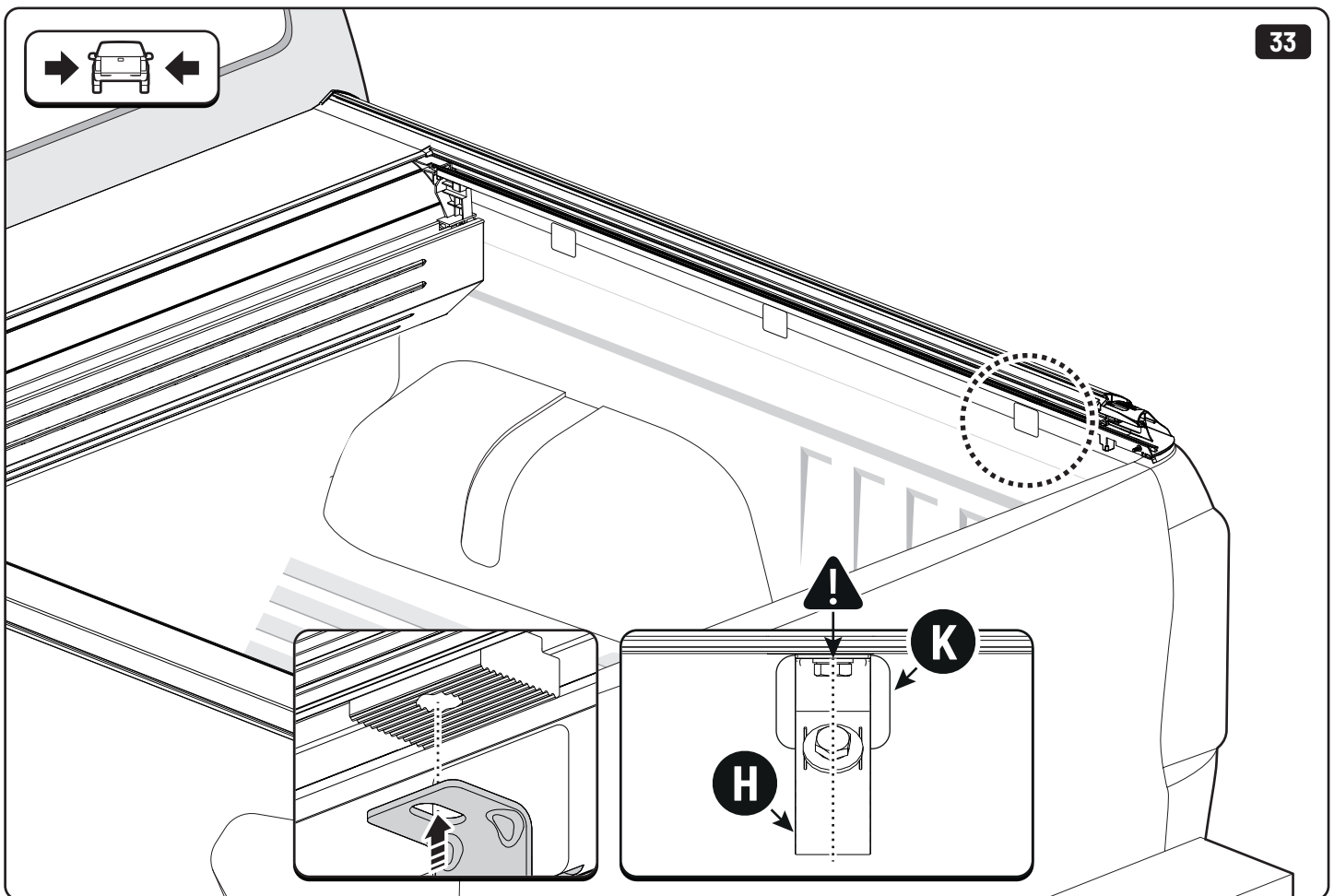
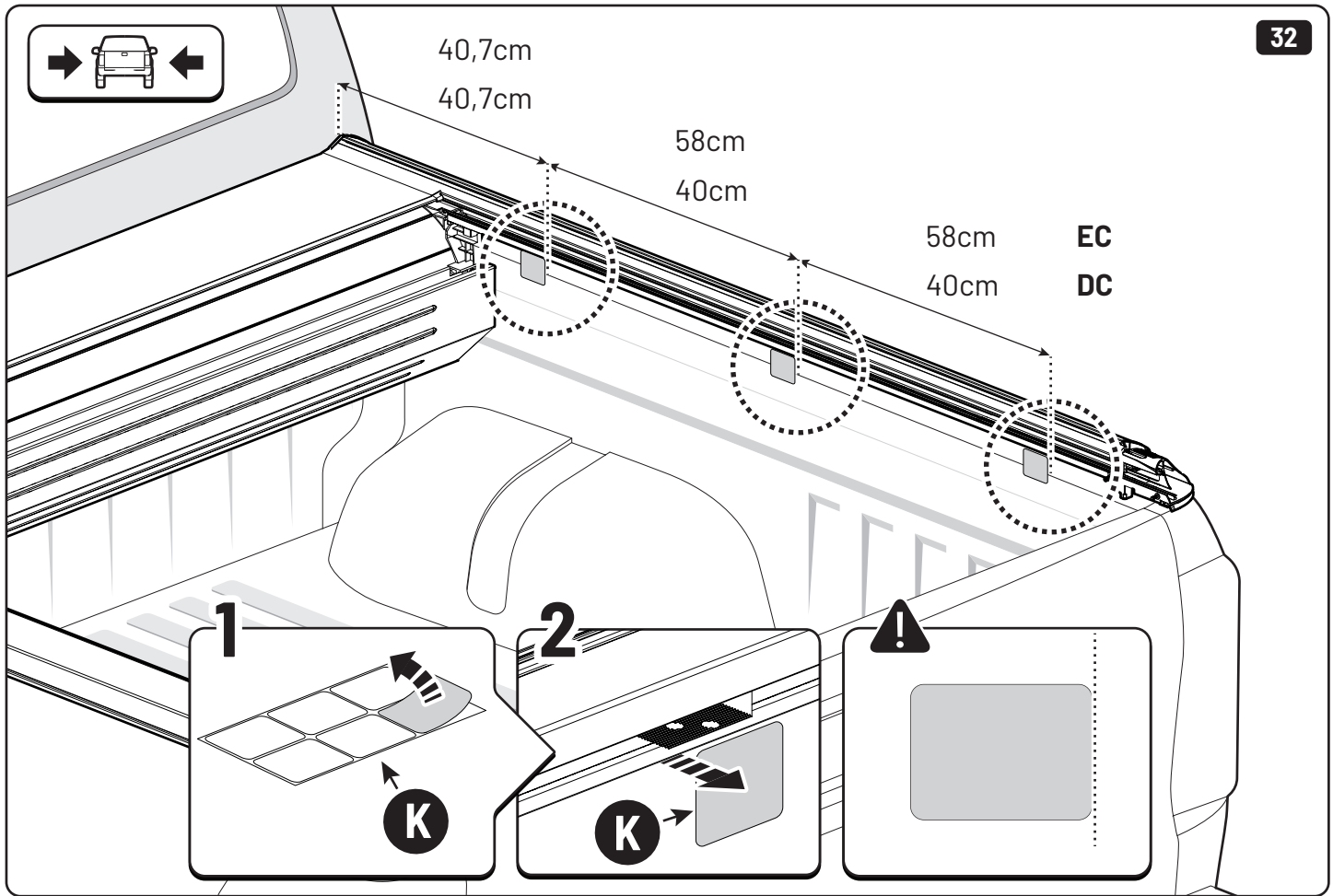










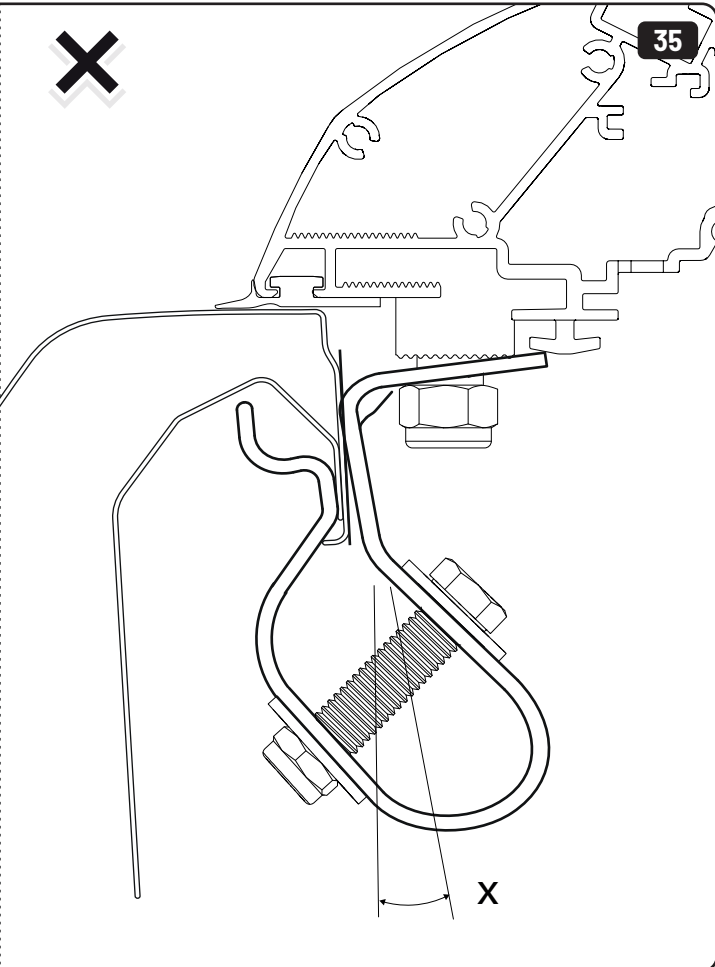
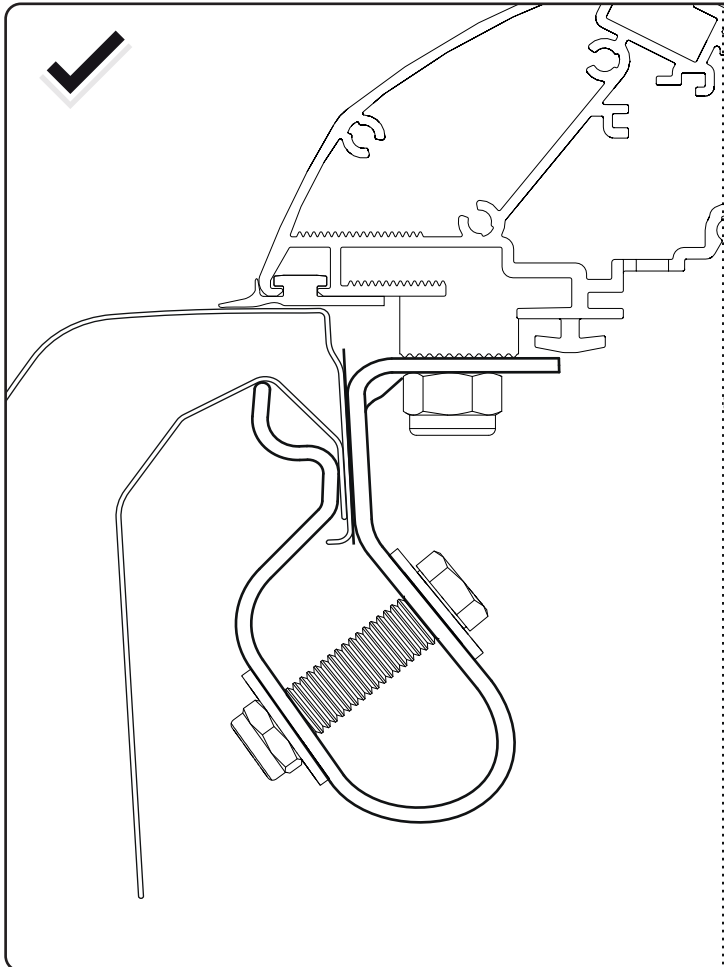
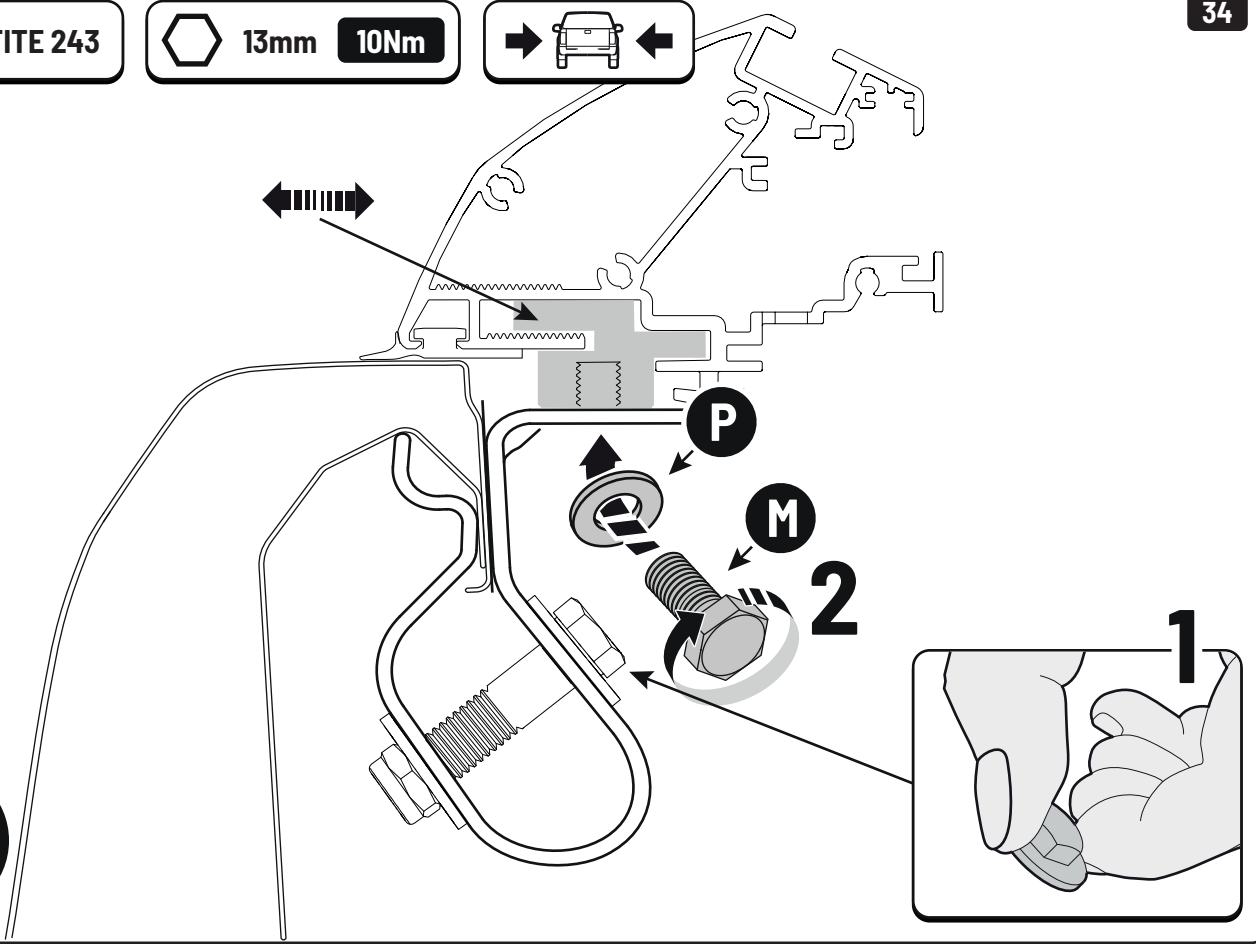


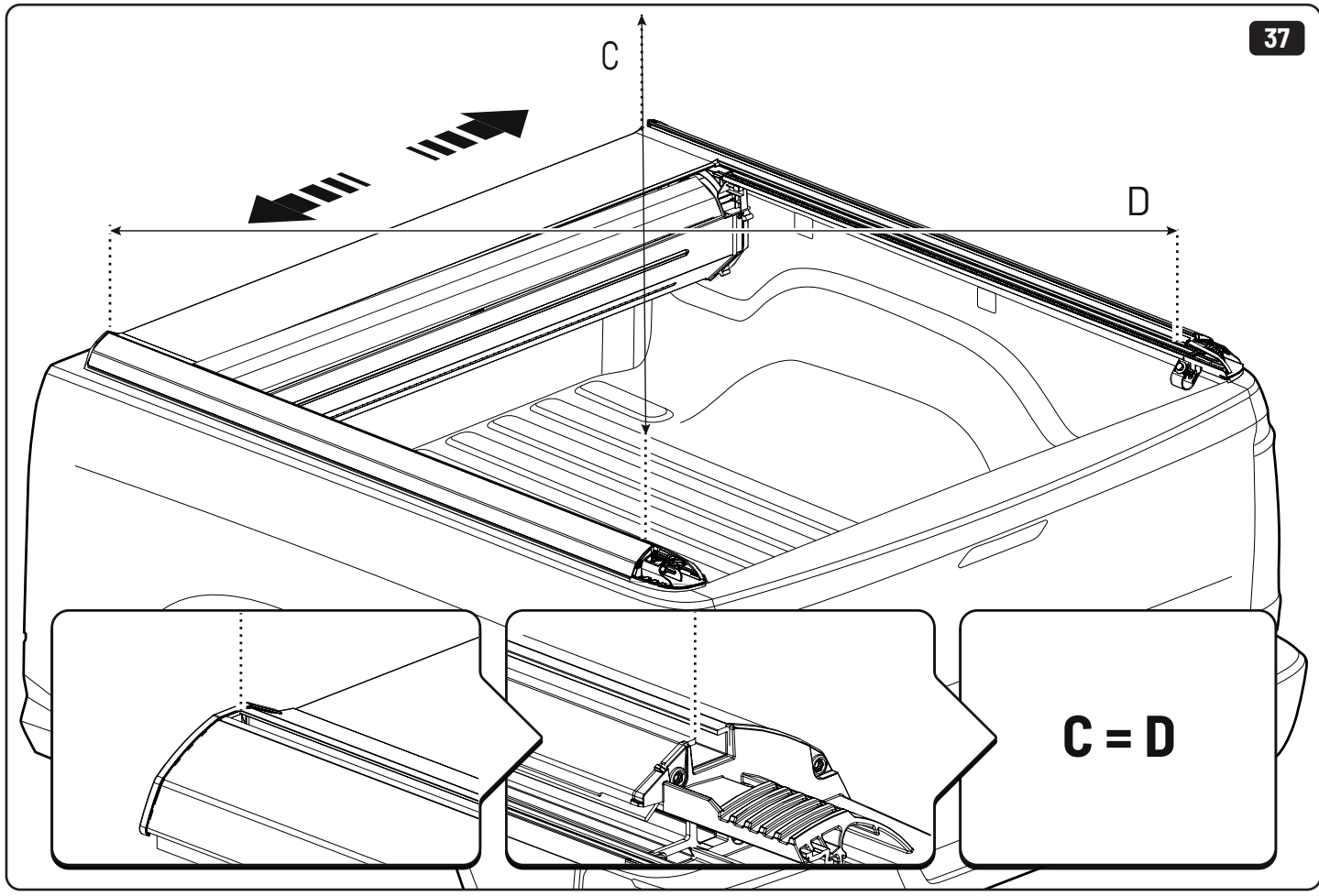
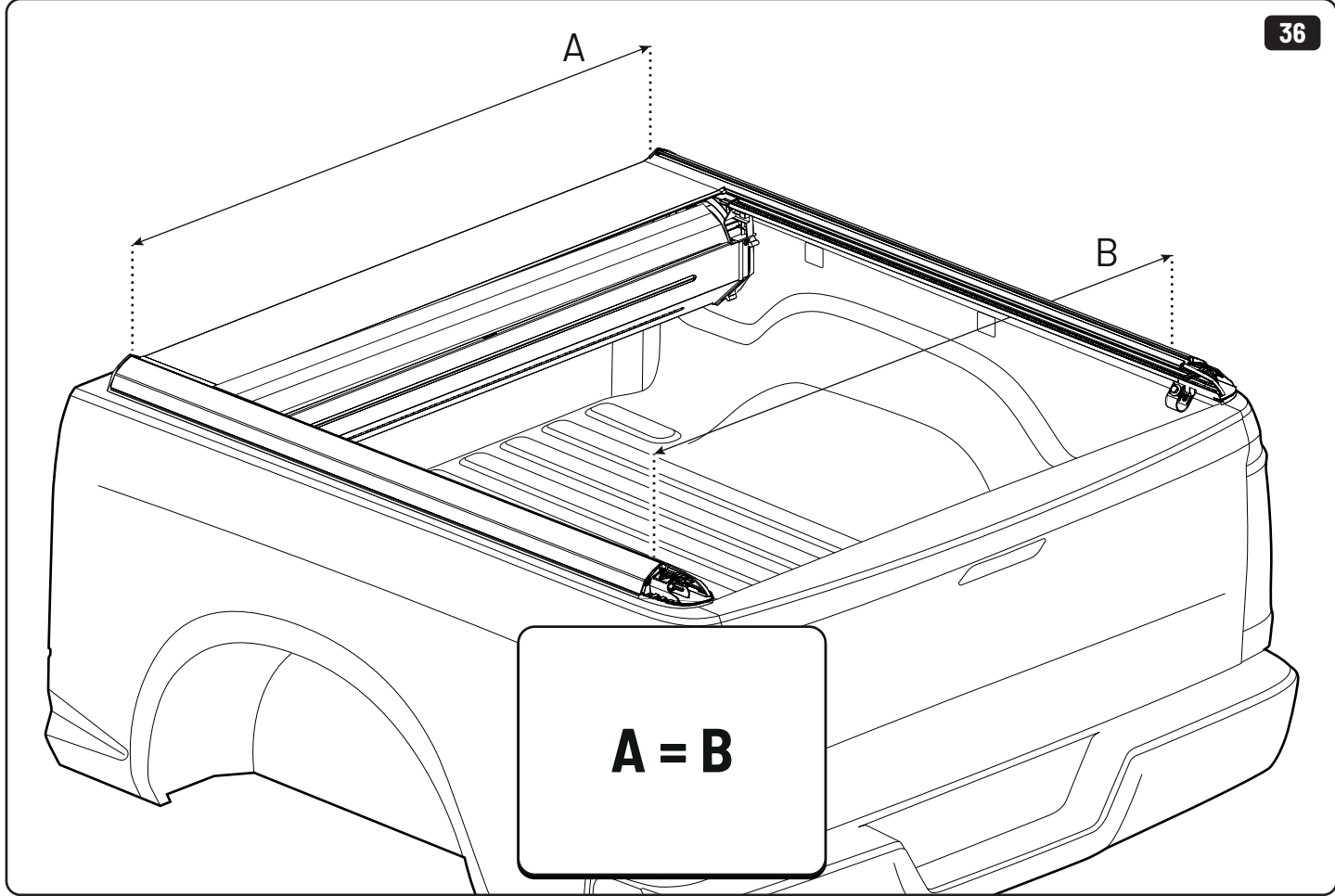
LOCTITE 243

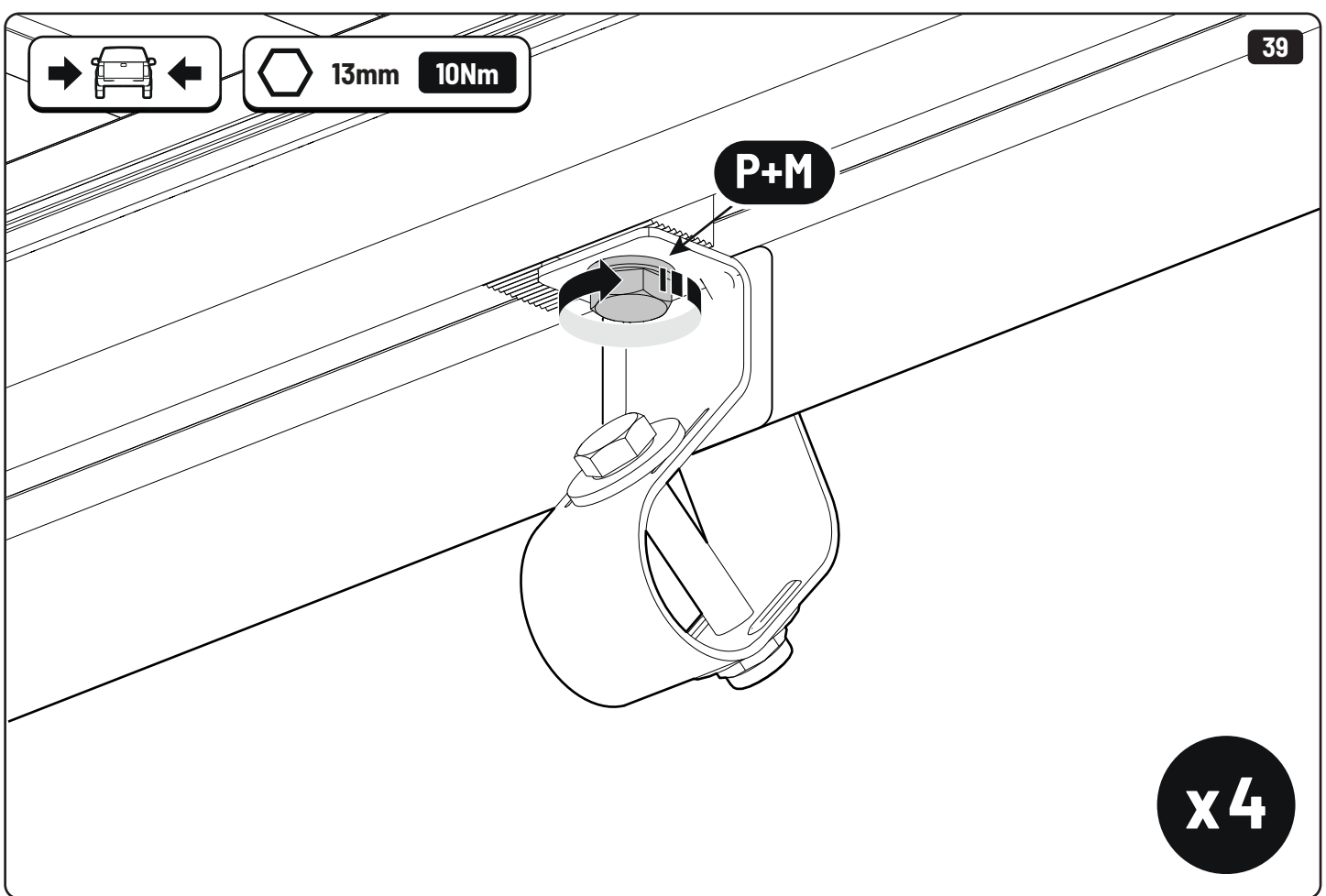
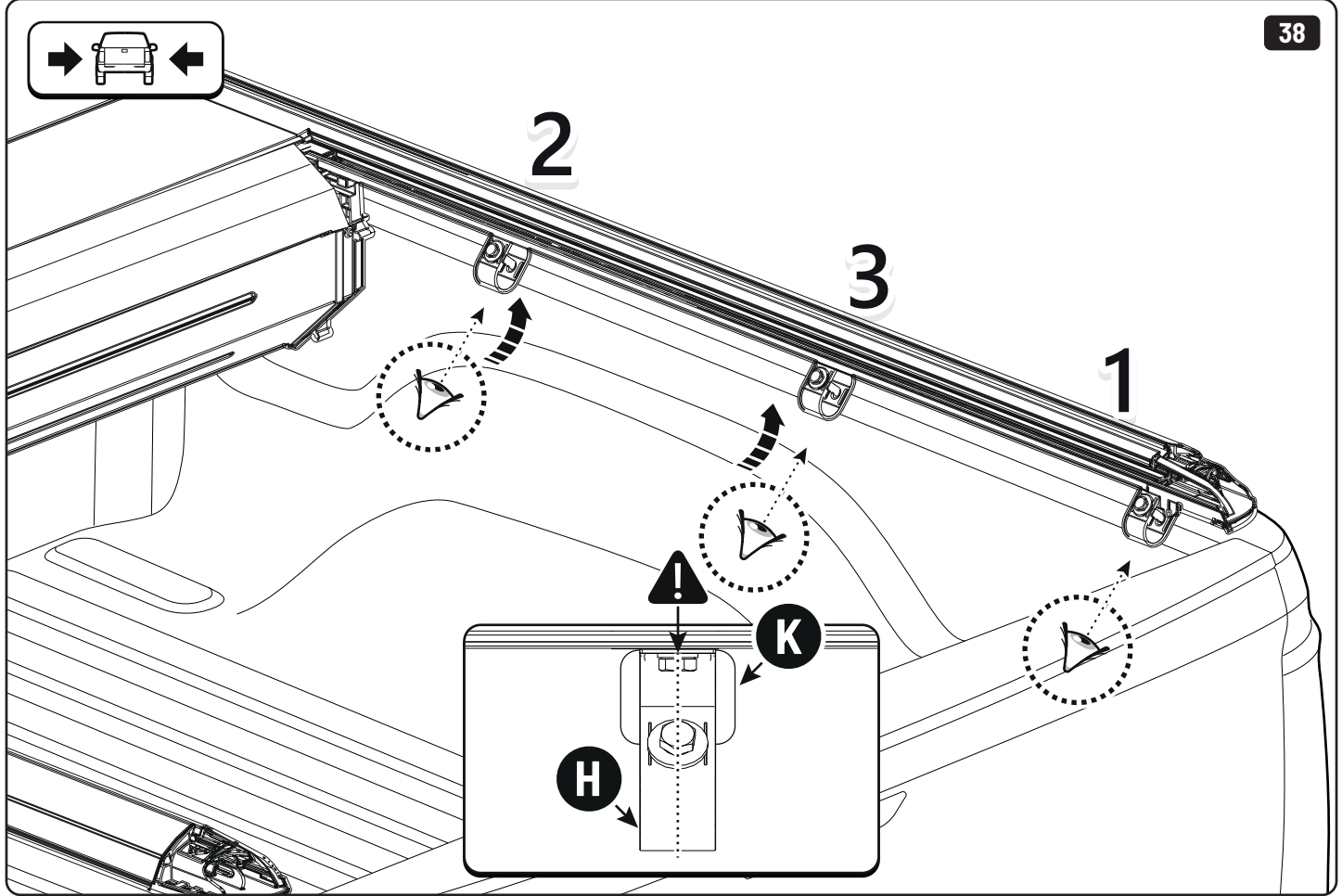
13mm 10Nm

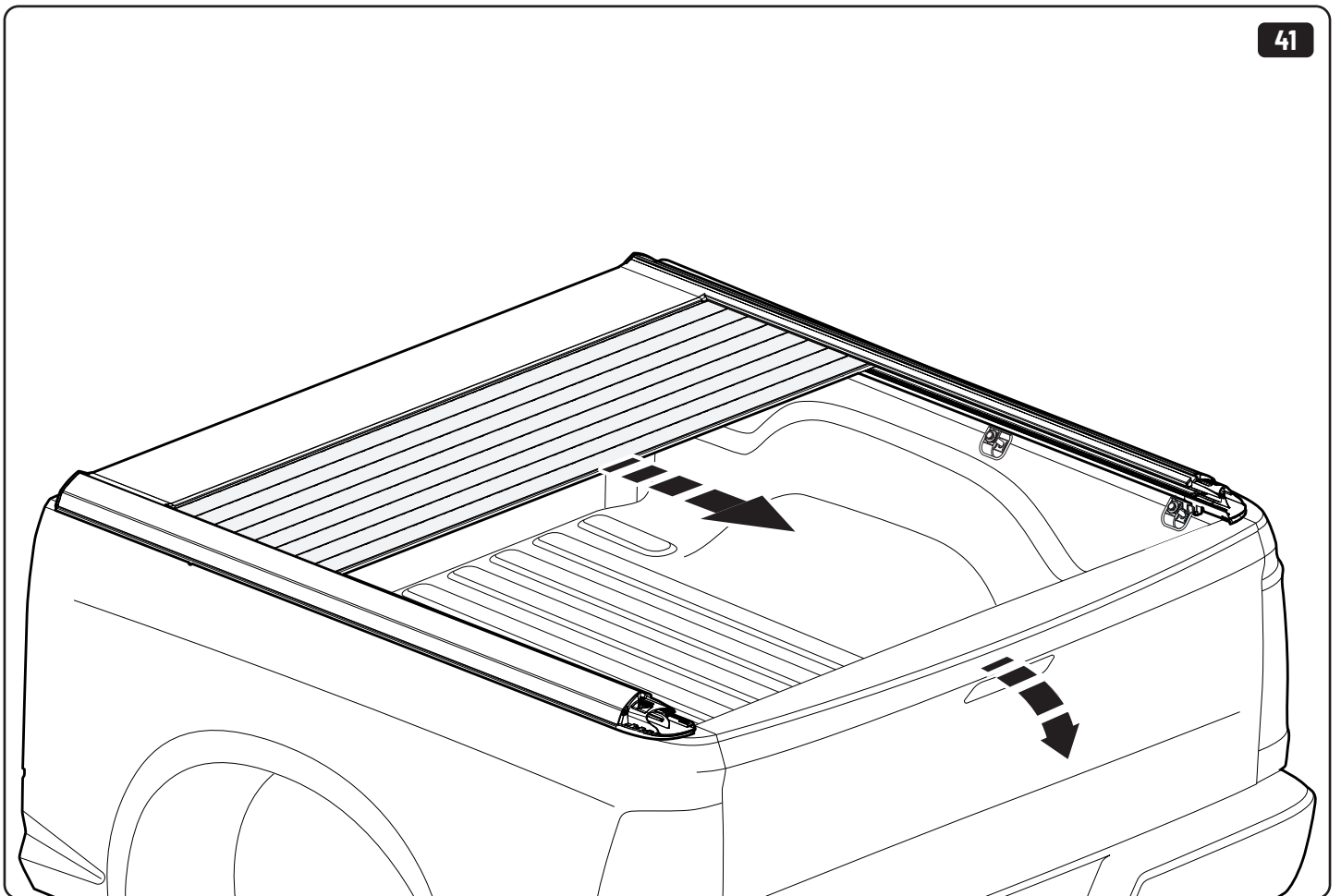
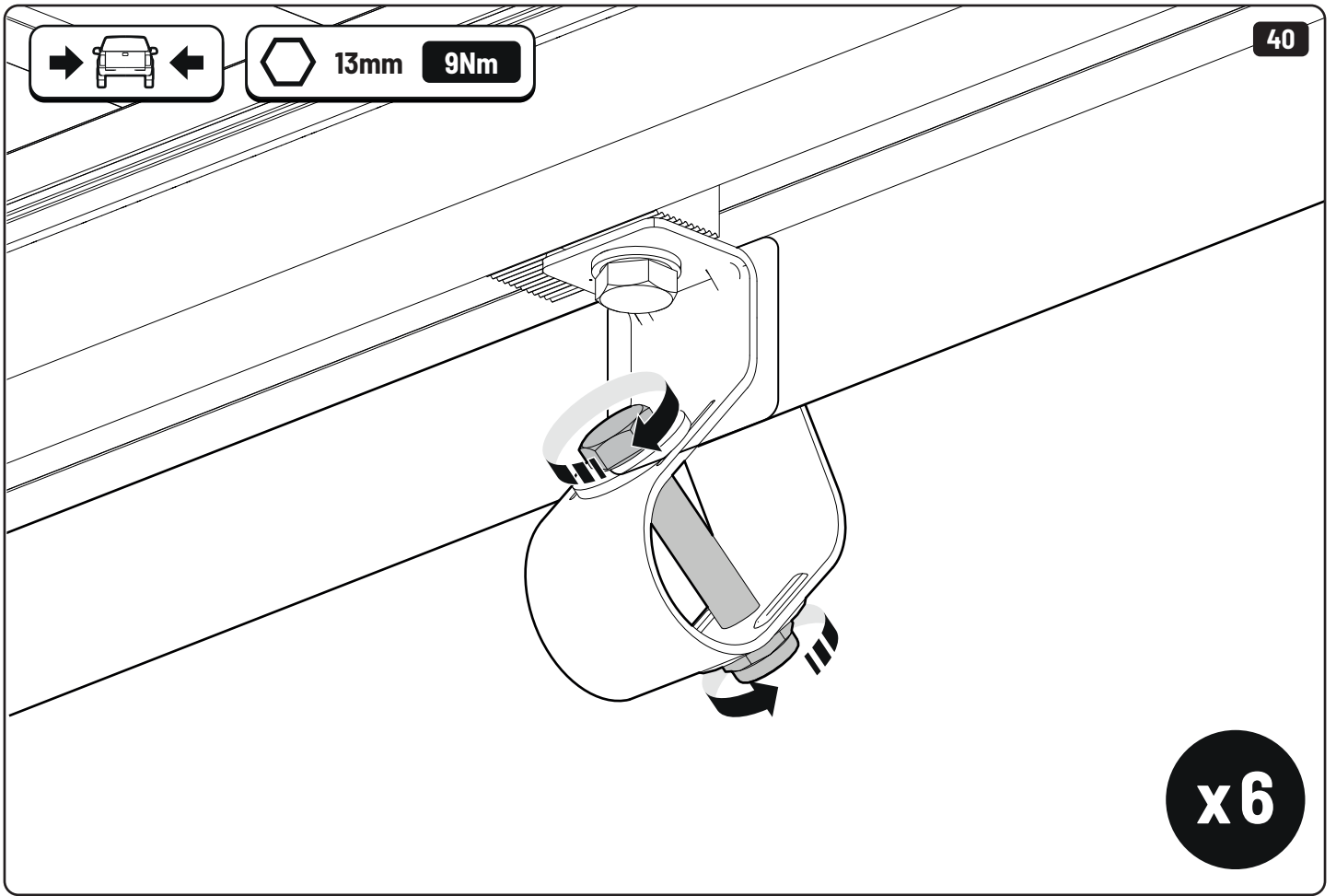


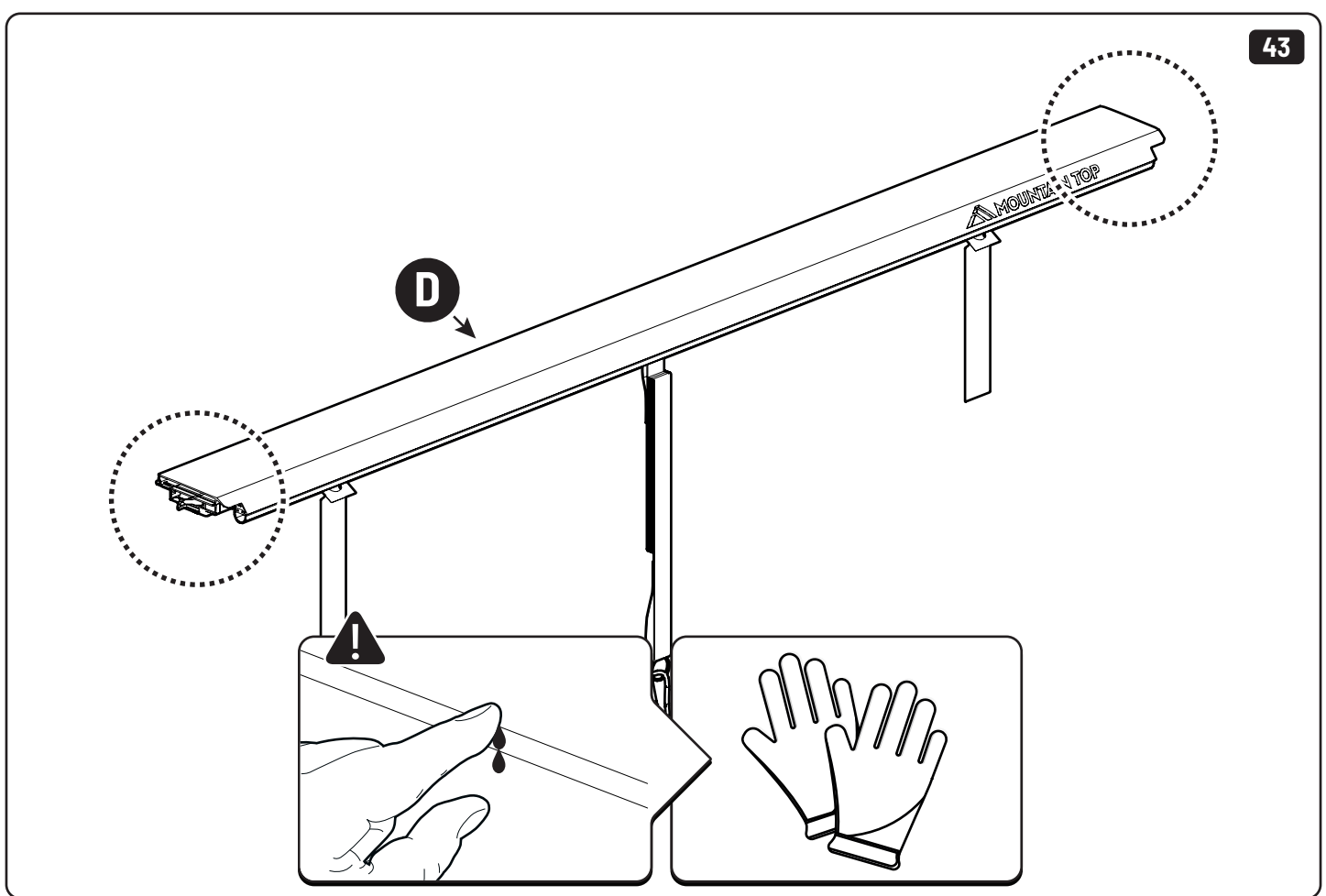
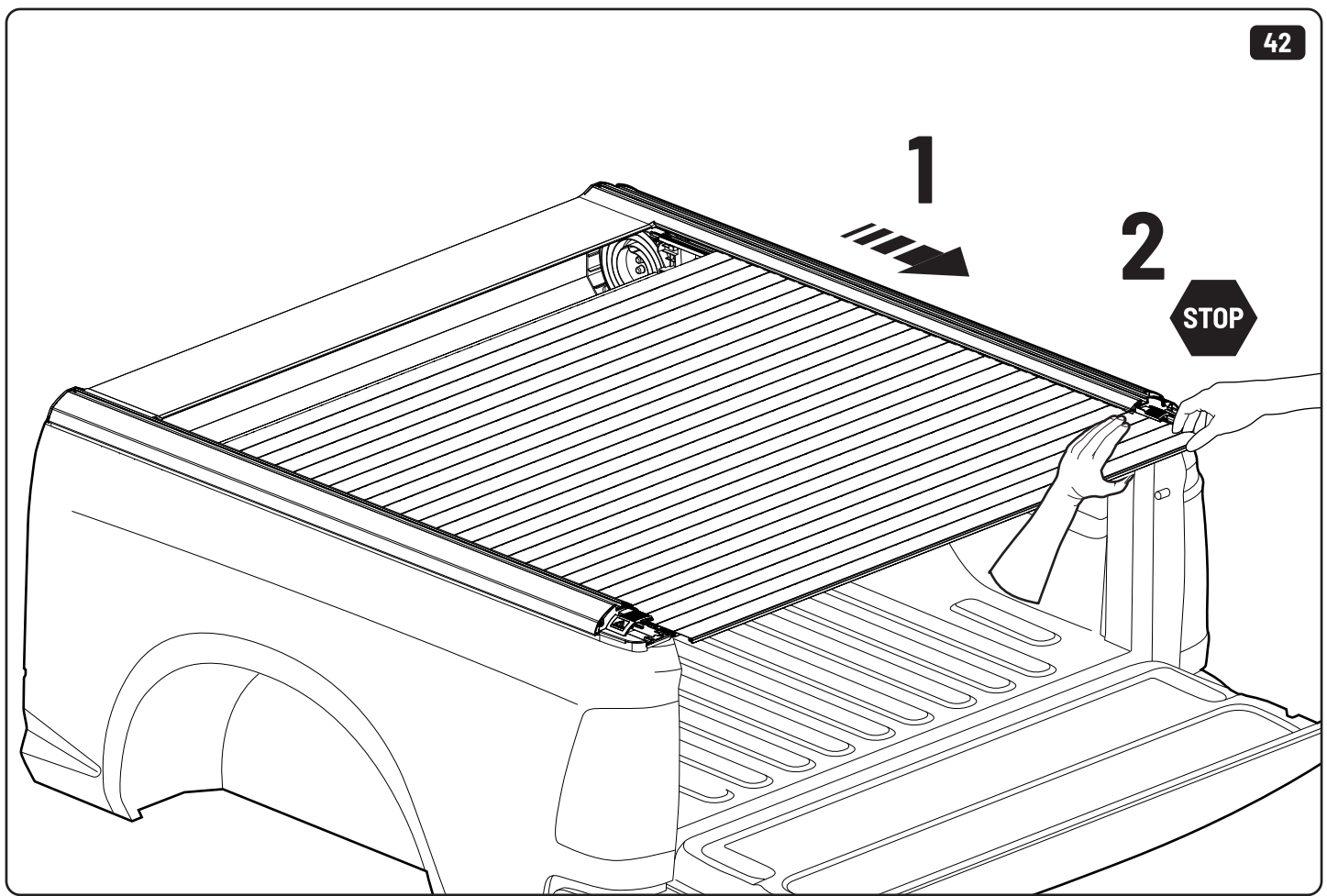
x2

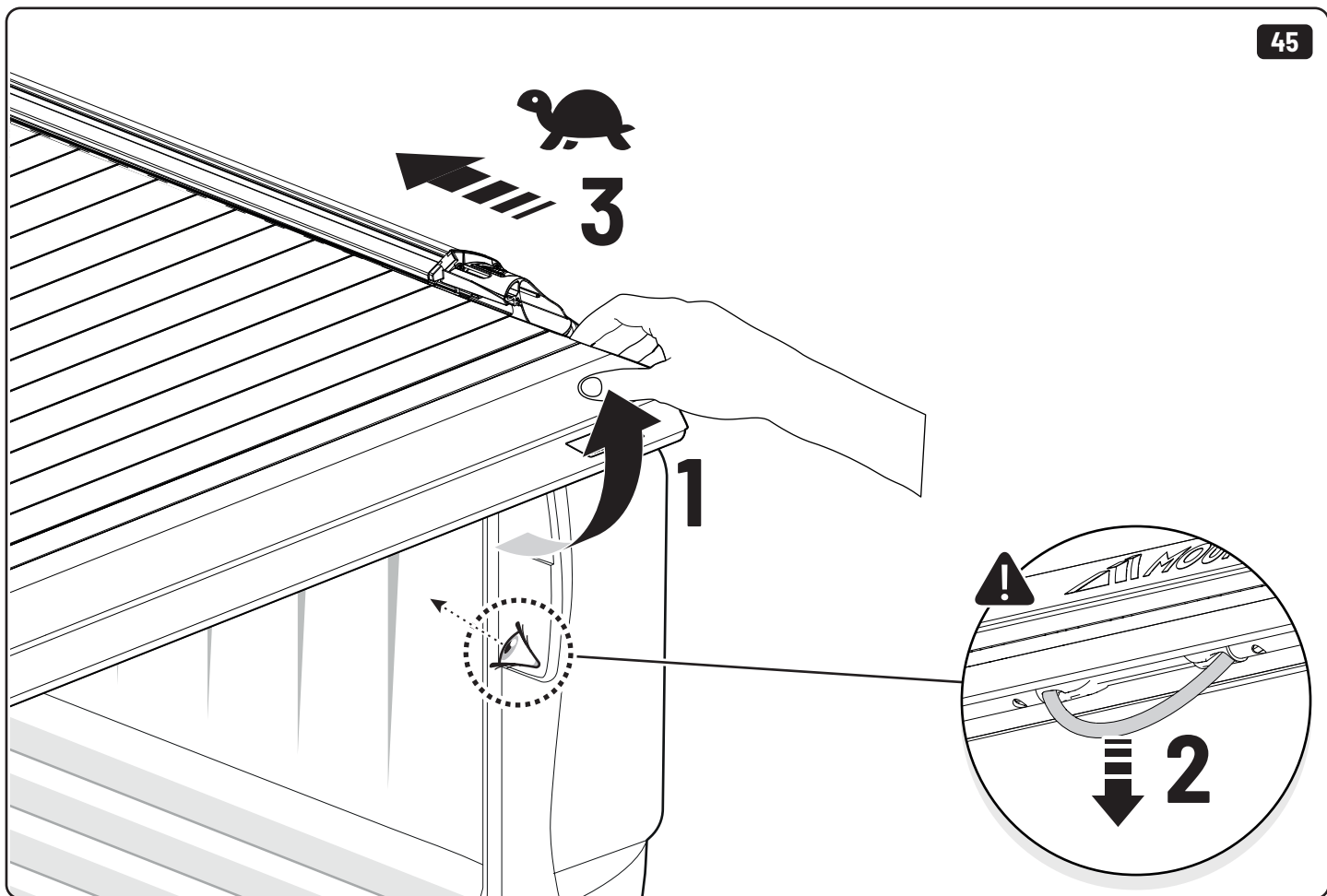
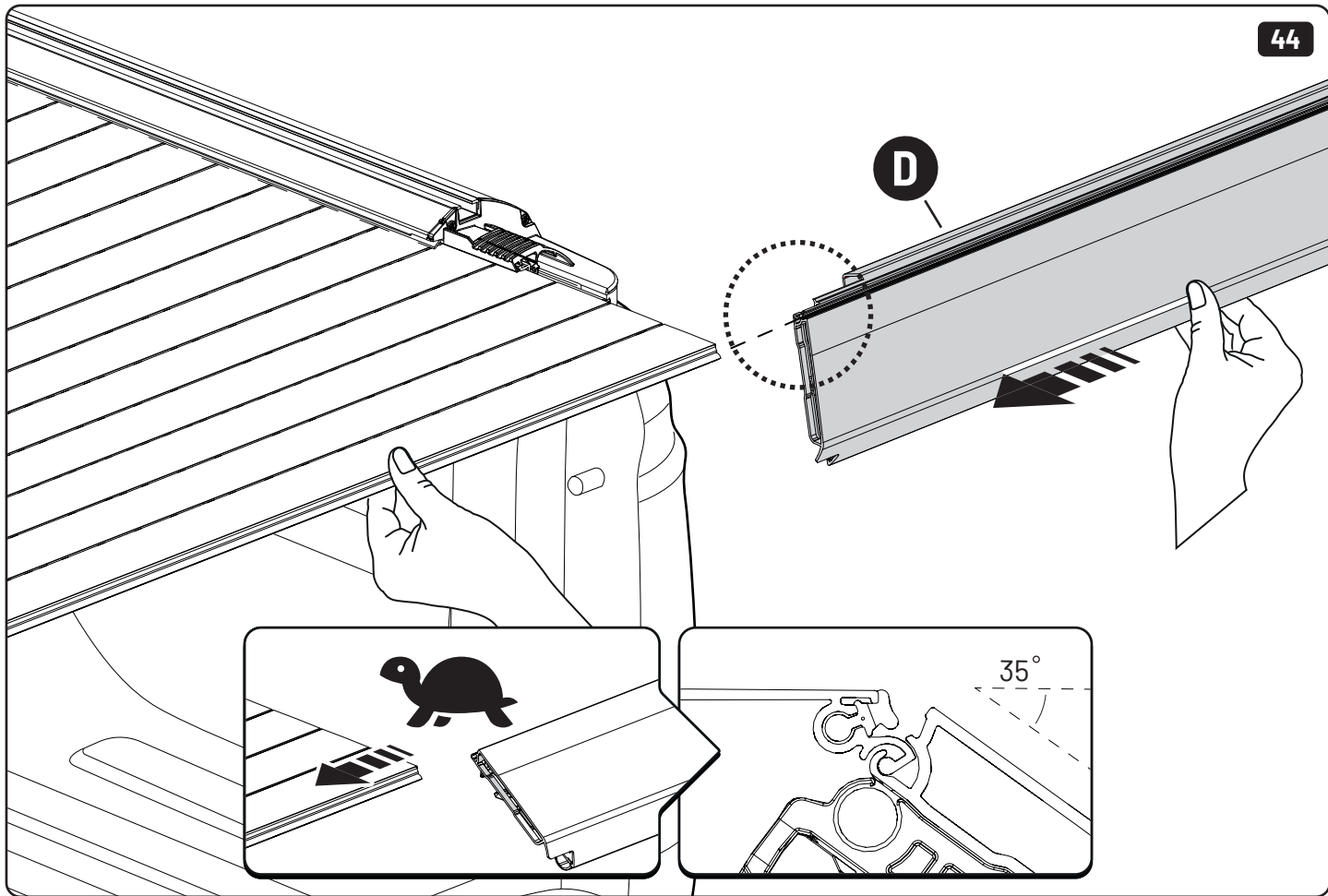


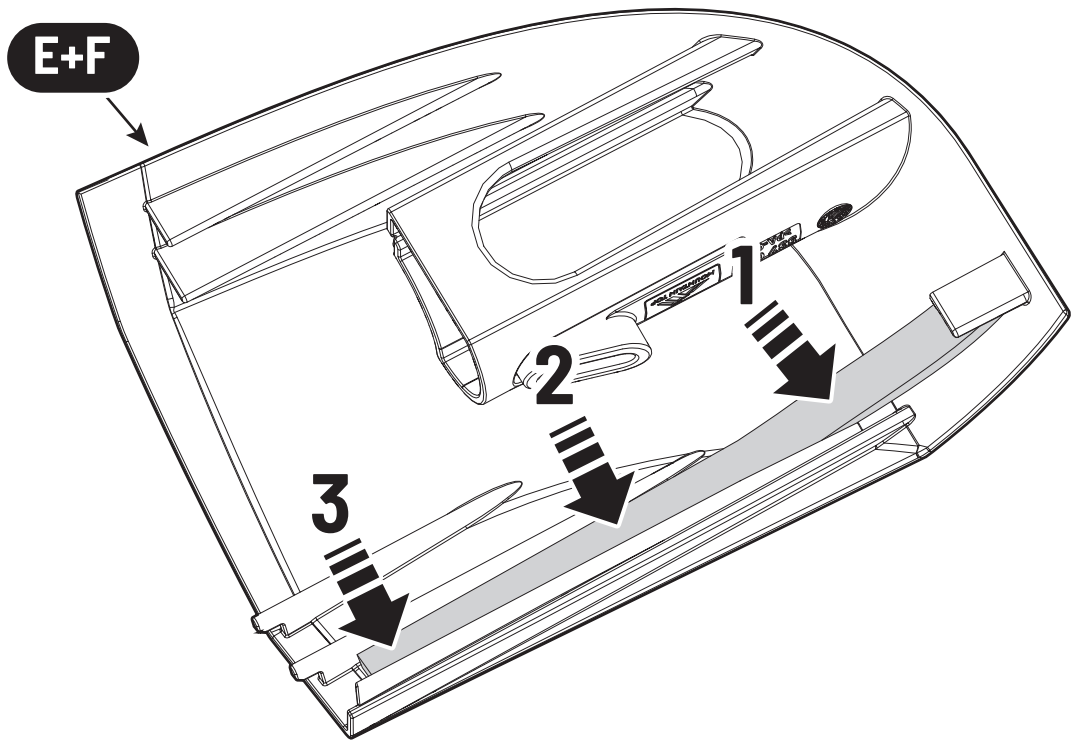
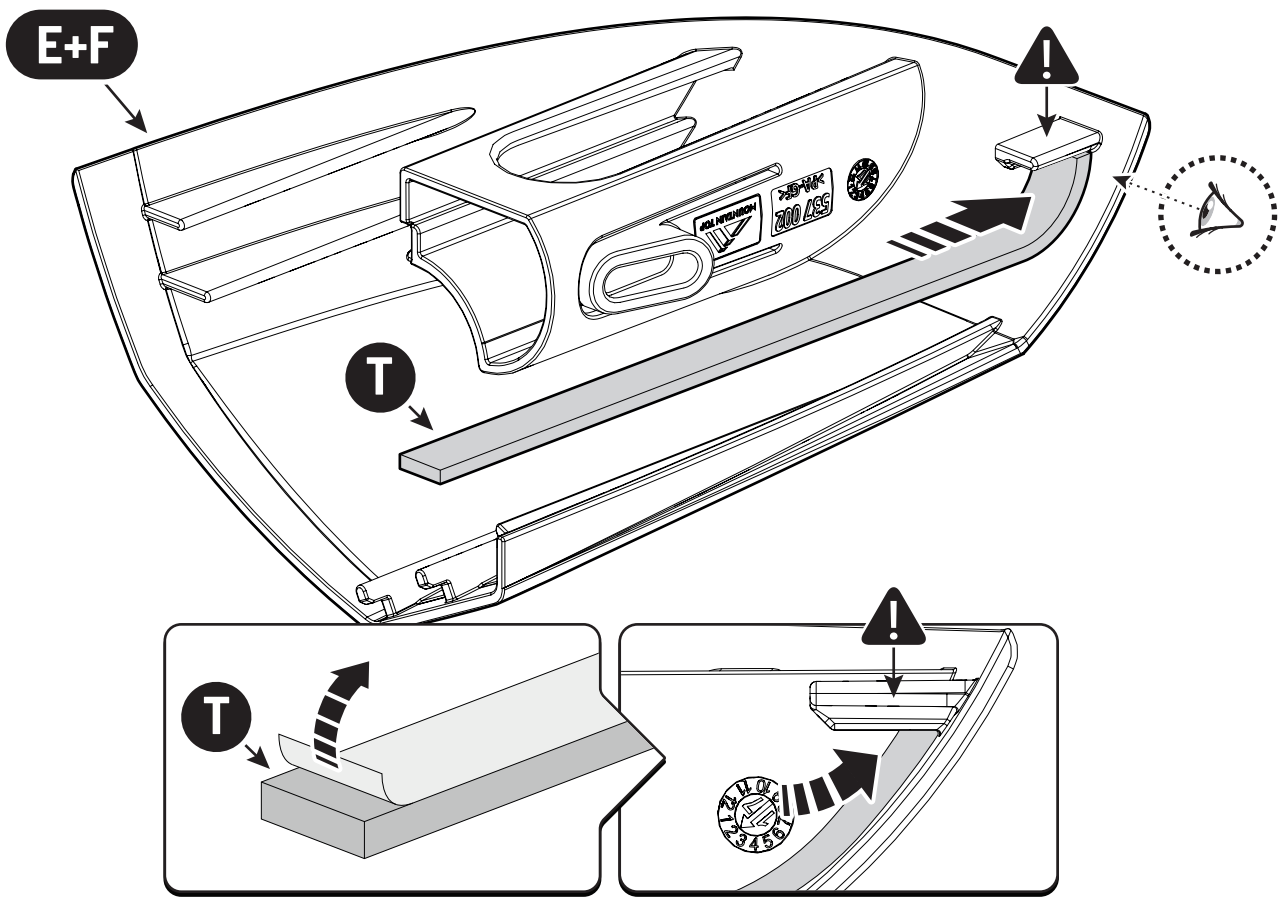


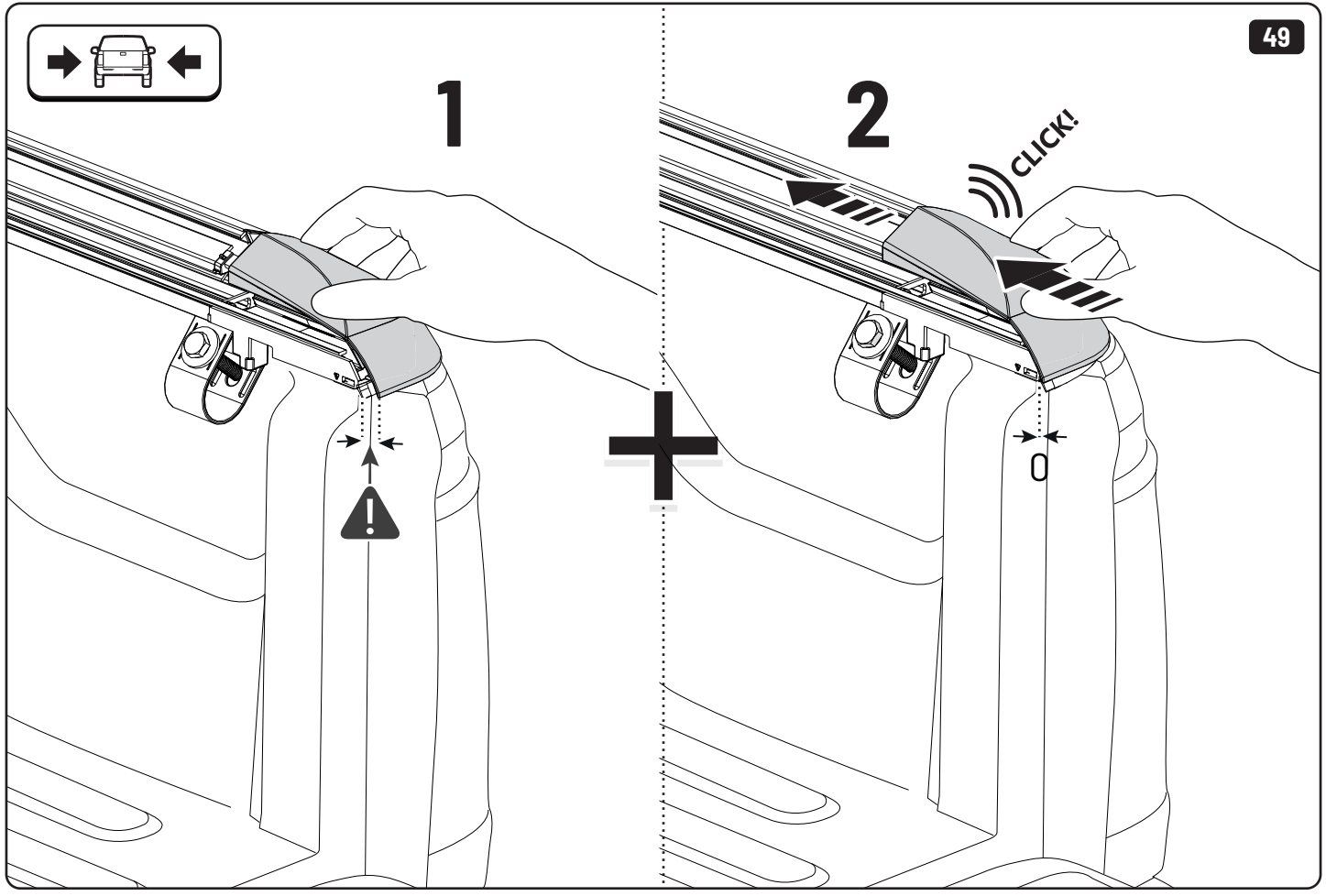
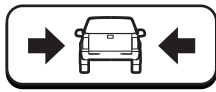
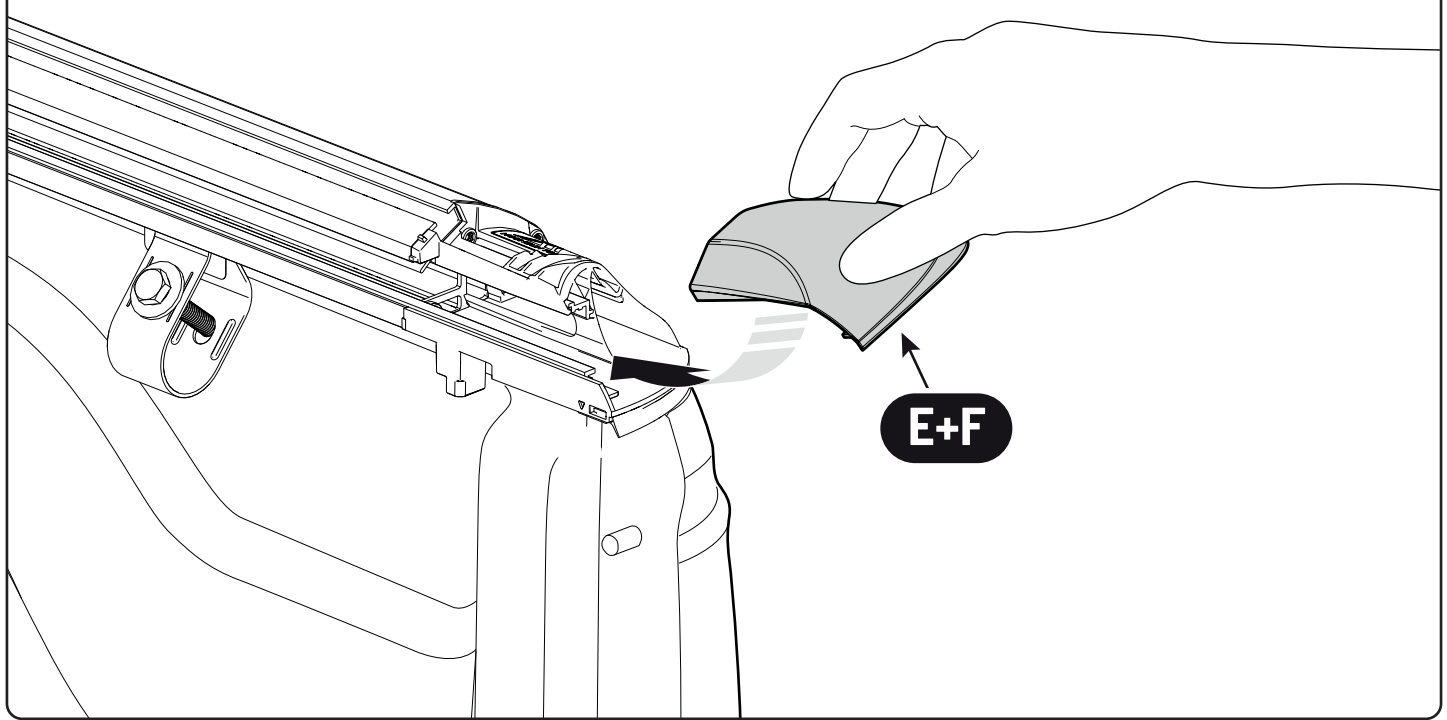
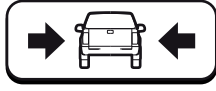


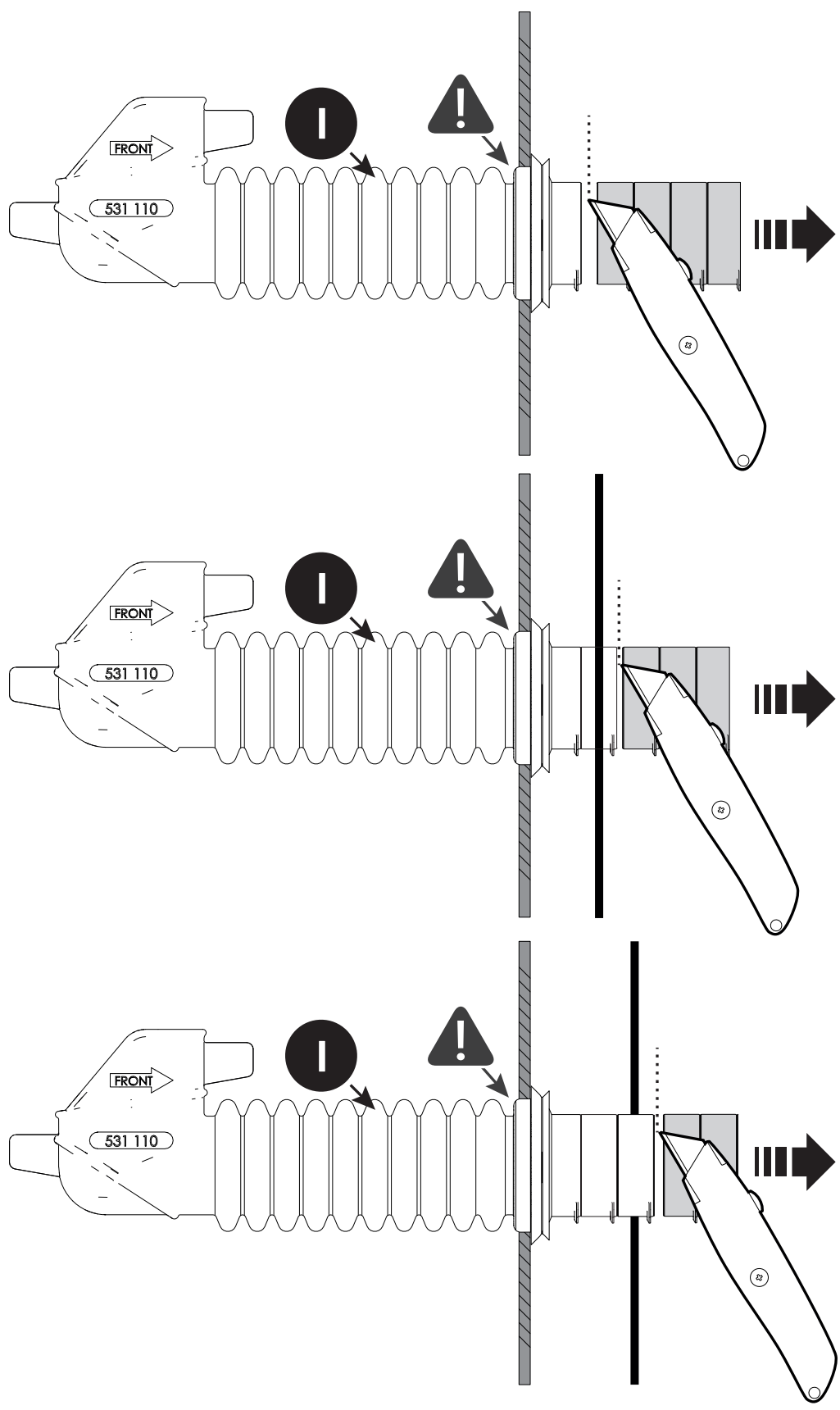


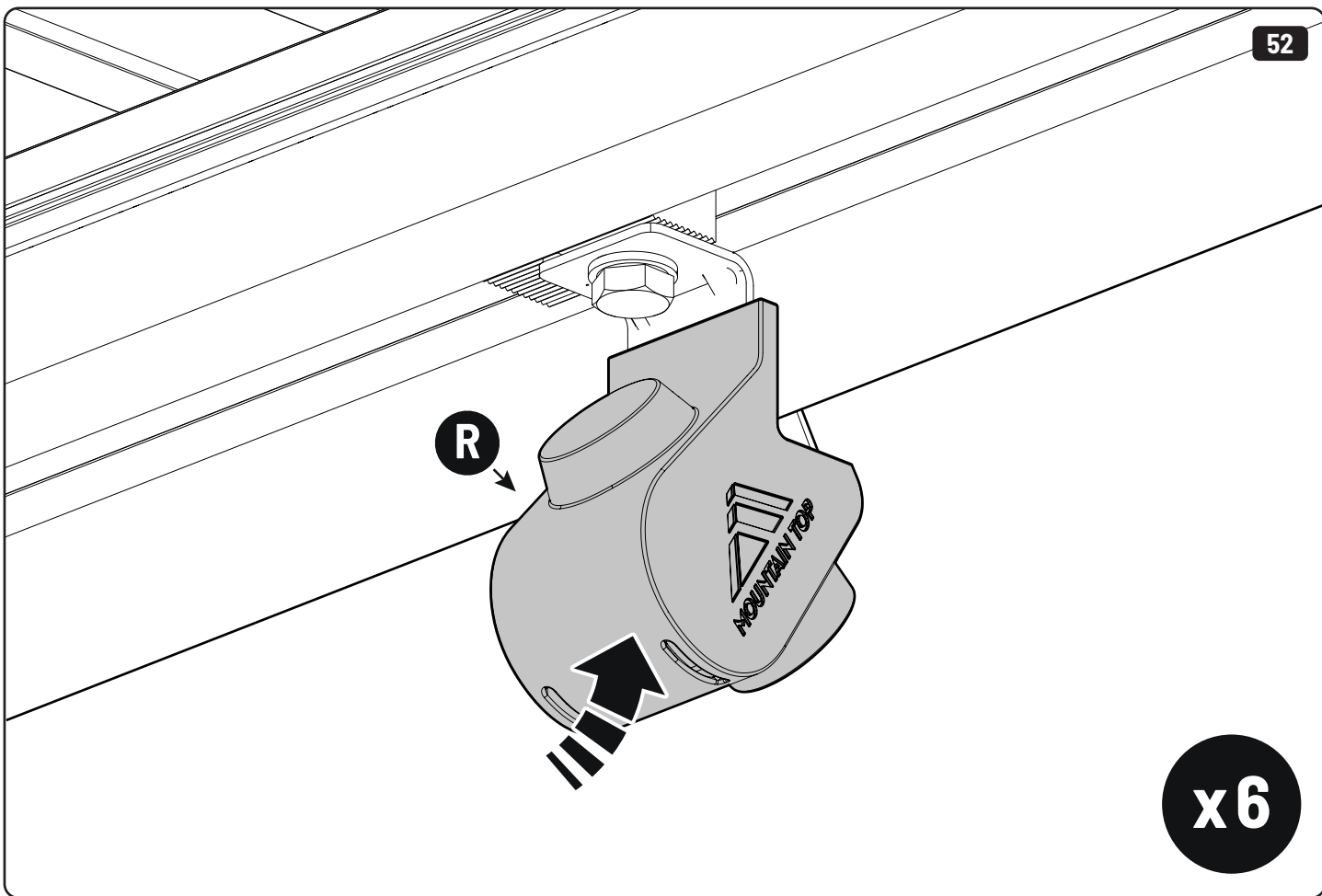
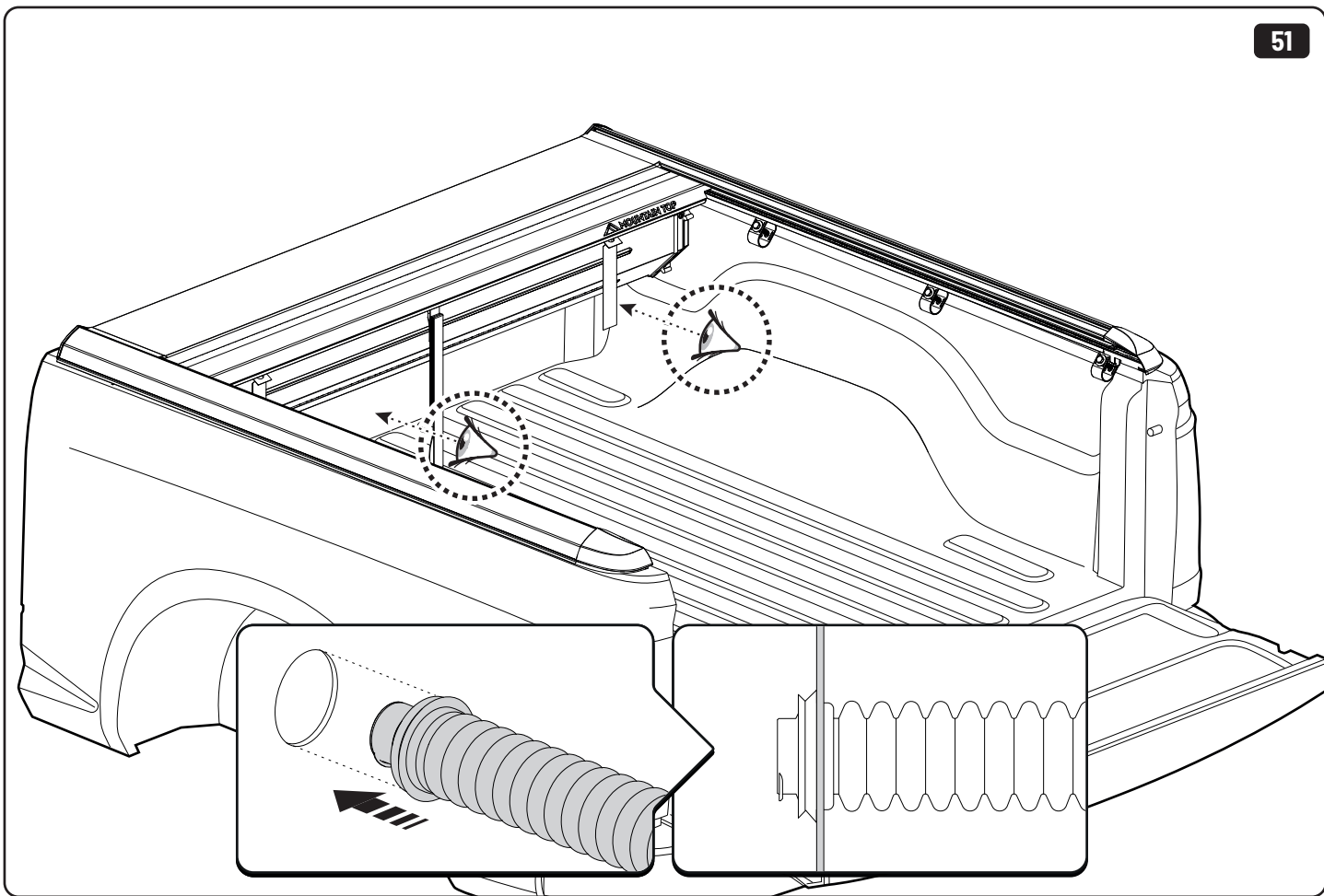


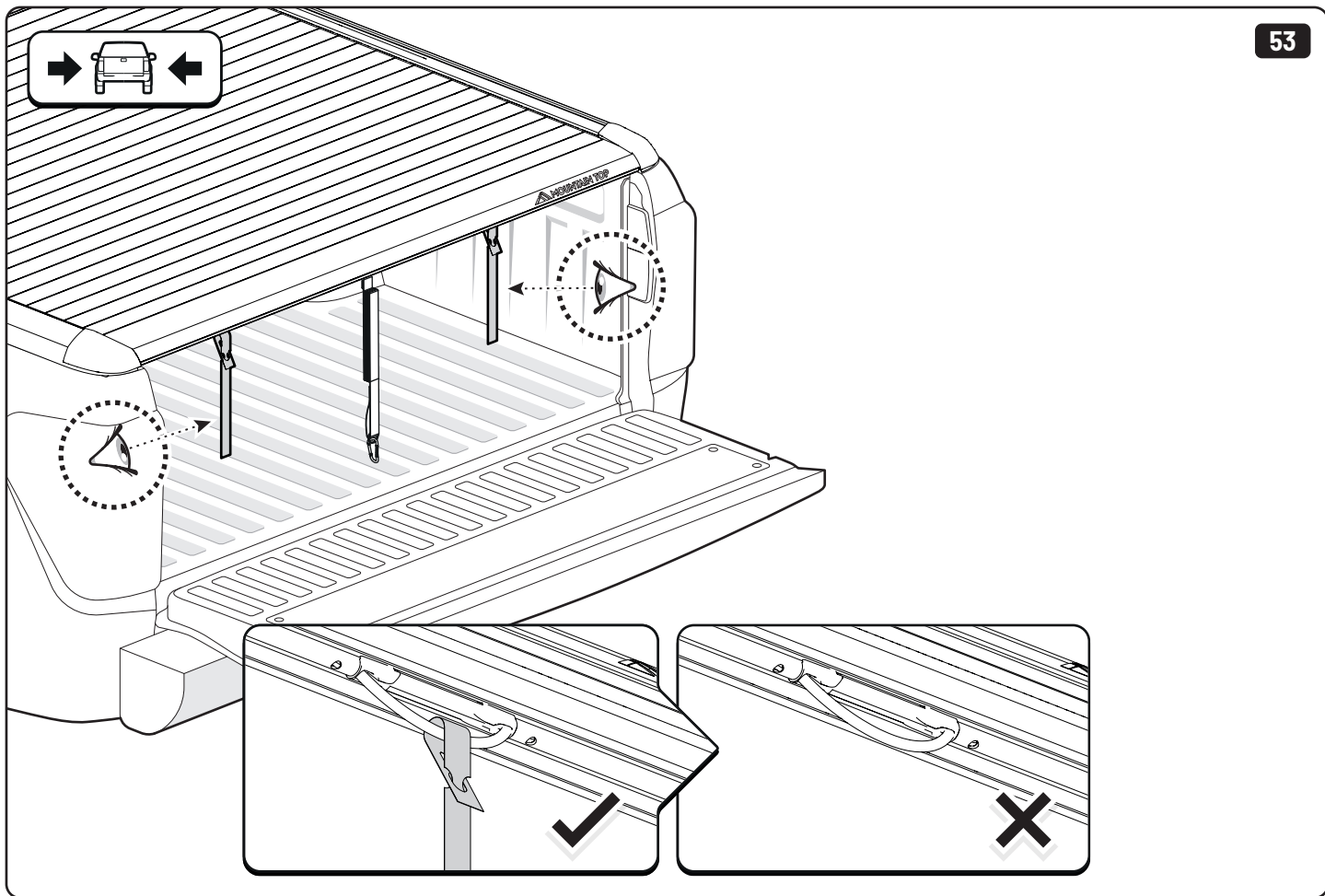














Steps	Page	Done by
Mounting gliding rail in canister	12	
Holes for drain	16	
Width + Cross measurement	23	
Tightening the clamp screw	24-25	
Mounting drain	31	



Customer Service +01677 428799
Support sales@4x4at.com
Website www.4x4at.com
Address 4x4AT, Meridian Park, North Yorkshire, DL7 9UJ, UK

Part number (s)	Model / Year	Cab type (s)	Installation time	Weight
EV0m IS10	Isuzu / 2020->	Double Cab	1 hour (s)	29 kg
EV0m IS11	Isuzu / 2020->	Extra Cab	1 hour (s)	33 kg
EV0m F090 AB01	Ranger / 2011->	Double Cab	1 hour (s)	29 kg
EV0m F091 AB01	Ranger / 2011->	Extra Cab	1 hour (s)	33 kg

GB Installation manual	S Monteringsanvisning	D Einbauanleitung
SF Asennusohje	E Instrucciones de montaje	CZ Návod k instalaci
F Notice de montage	H Szerelési utasítás	I Istruzioni di montaggio
PL Instrukcja montażu	P Instruções de instalação	GR Οδηγίες Εγκατάστασης
NL Installatie-instructies	RUS Инструкция по установке	DK Monteringsvejledning
TR Montaj Talimatı	N Monteringsveiledning	RO Instructiuni de instalare